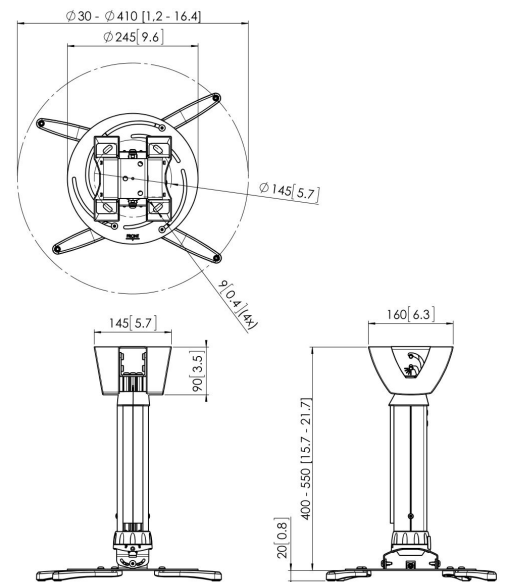


## PPC 2540 Projector Ceiling Mount

The PPC 2540 is a height adjustable projector mount specially designed for the latest generation of projectors weighing up to 30 kg. This projector interface is equipped with fine tune adjustability for precise alignment to the projection surface. Once aligned, the projector stays in position. Turning the unique friction ring will eliminate all play from the interface connections, making the mount a solid and very stable solution.





## PPC 2540 Projector Ceiling Mount



# Specifications

|                               |                |
|-------------------------------|----------------|
| Article number (SKU)          | 7025404        |
| Colour                        | Silver         |
| EAN single box                | 8712285325243  |
| TÜV certified                 | Yes            |
| Tilt                          | Tilt up to 15° |
| Turn                          | Up to 360°     |
| Guarantee                     | 5 years        |
| Max. weight load (kg)         | 30             |
| Max. distance to ceiling (mm) | 550            |
| Min. distance to ceiling (mm) | 400            |
| Range (diameter)              | 30 - 410 mm    |
| Roll                          | 15             |

VOGEL'S HOLDING BV (©)

All rights reserved.  
Subject to printing errors,  
technical and price  
amendments.

Date: 2022-06-02



**Vogel's.** For Sure.