



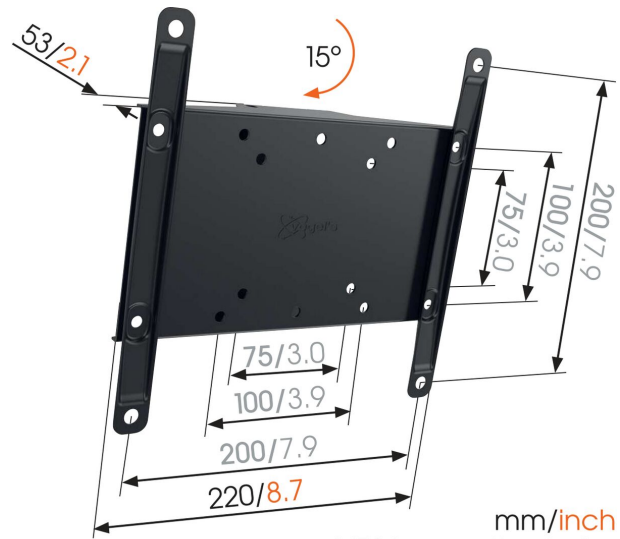
## MA 2010 Tilting TV Wall Mount

### Key Benefits

- Avoid reflections: tilt up to 15°
- Tested up to 3 times max. TV weight
- Mount your TV exactly where you want it to be
- Easily remove to install your cables
- Reliable quality for an affordable price

### For TVs up to 43 inch (102 cm)

TVs up to 30 kg and 43 inches fit perfectly on an MA 2010 wall mount. A small but sturdy TV mount that is perfect for the bedroom or bathroom.



## MA 2010 Tilting TV Wall Mount



# Specifications

Article number (SKU)	8552010
Colour	Black
EAN single box	8712285331268
Product size	S
TÜV certified	Yes
Tilt	Tilt up to 15°
Guarantee	2 years
Min. screen size (inch)	19
Max. screen size (inch)	43
Max. weight load (kg/Lbs)	30 / 66.14
Max. bolt size	M8
Max. height of interface (mm)	220
Max. width of interface (mm)	220
Certifications	TÜV
Min. distance to the wall (mm / inch)	53 / 2.09
Universal or fixed hole pattern	Fixed

VOGEL'S HOLDING BV (©)

All rights reserved.  
Subject to printing errors,  
technical and price  
amendments.

Date: 2023-01-13



**Vogel's.** For Sure.