

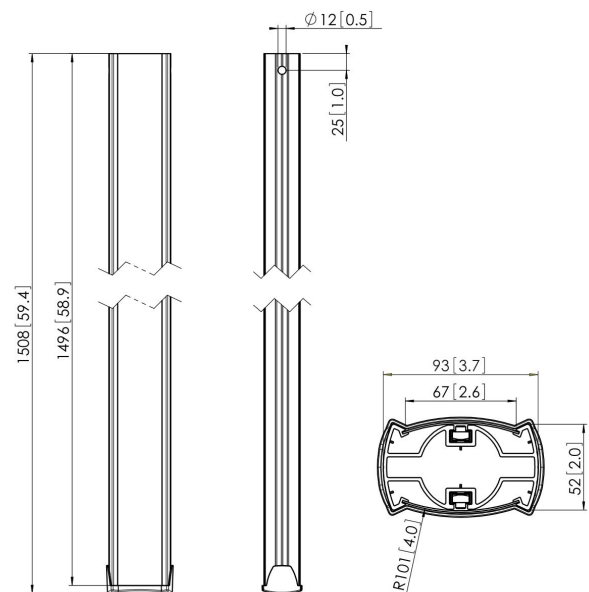


PUC 2515S Pole

Key Benefits

- Cable management
- Modular

The PUC 2515 is a 150 cm pole and is a part of the modular Connect-it system with which you can create a ceiling solution for medium- to large-sized displays.





PUC 2515S Pole



Specifications

Connet It exceptions	2x if inches gte 65
Back-to-back displays	True
Max. weight load (kg)	80
Max. weight load (Lbs)	176.37
Length	1500
Article number (SKU)	7225154
EAN single box	8712285318726
Colour	Silver
Certifications	TAA TÜV
TÜV certified	Yes
Guarantee	5 years

VOGEL'S HOLDING BV (©)

All rights reserved.
Subject to printing errors,
technical and price
amendments.

Date: 2025-05-29



Vogel's. For Sure.