



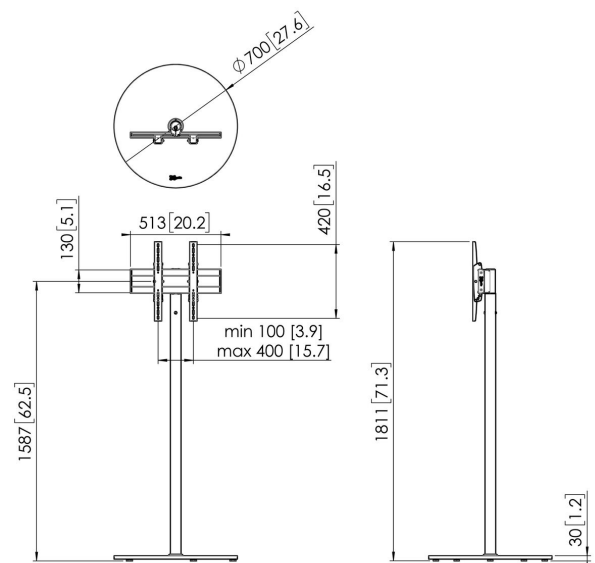
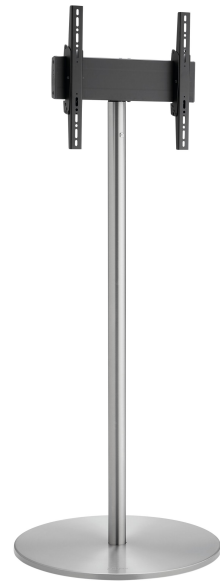
F1644RVS Display Floor Stand

Key Benefits

- Stylish high-end design
- Modular
- Cable management

Floor Stand kit F1644

Display size: 65" Fitment: 400x400 Max load: 40 kg / 88 lbs Kit consists of: • 1x PFF 1560 Floor stand • 1x PFA 9148 Turn unit display floor stand • 1x PFB 3405 Interface bar • 1x PFS 3304 Interface display strip





F1644RVS Display Floor Stand



Specifications

| | |
|--|-----------------|
| Min. screen size (inch) | 19 |
| Max. screen size (inch) | 65 |
| Min. horizontal hole pattern (mm) | 100 |
| Max. horizontal hole pattern (mm) | 400 |
| Min. vertical hole pattern (mm) | 100 |
| Max. vertical hole pattern (mm) | 400 |
| Max. height of interface (mm) | 450 |
| Max. width of interface (mm) | 515 |
| Max. distance to floor - center display (mm) | 1587 |
| Max. weight load (kg) | 40 |
| Max. weight load (Lbs) | 88.18 |
| Tilt | Tilt up to 20° |
| Height | 1600 |
| Width | 700 |
| Depth | 700 |
| Article number (SKU) | 7951124 |
| EAN single box | 8712285354908 |
| Colour | Stainless Steel |
| Certifications | TÜV |
| TÜV certified | Yes |
| Guarantee | 5 years |

VOGEL'S HOLDING BV (©)

All rights reserved.
Subject to printing errors,
technical and price
amendments.

Date: 2024-09-30



Vogel's. For Sure.