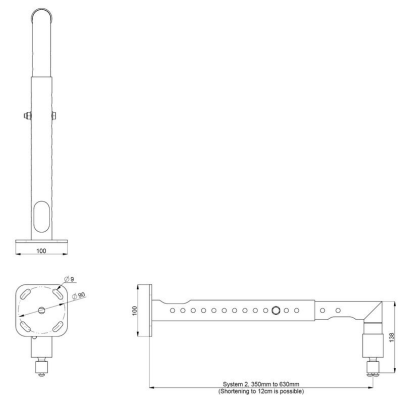


## S002.1560 Angled wallmount

Use this angled set together with a projector-specific mount to mount the projector at right angles to the wall. Ideal for projection against a wall or on the floor. Still needed as a ceiling mount? This can be done in combination with the portrait/floor projection kit (S002.1550) and project-specific mount (S002.1001).



**Smart  
metals**  
MOUNTING SOLUTIONS





## S002.1560 Angled wallmount

# Specifications

Max. weight load (kg)	30
Max. weight load (Lbs)	66.14
Turn	Up to 360°
Tilt	Tilt up to 20°
Article number (SKU)	S002.1560
EAN single box	8718868873019
Colour	Black
Guarantee	5 years

VOGEL'S HOLDING BV (©)

All rights reserved.  
Subject to printing errors,  
technical and price  
amendments.

Date: 2025-05-27