



BASE 15 M Tilting TV Wall Mount

Article number (SKU)
Colour

8343215
Black



Key Benefits

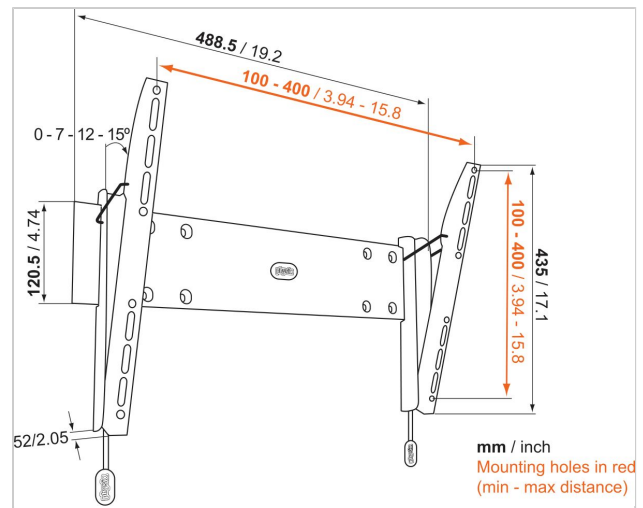
- Lock your TV securely in place
- Strong and Simple: solid, secure solutions to mount your TV
- Tilt (up to 15°) to avoid reflections

For TVs up to 55 inch (140 cm)

The BASE 15 M is a durable TV wall mount, suitable for 32 to 55 inch (81 to 140 cm) TVs weighing up to 30 kg (66 lbs). Tilt your TV for a great viewing angle. With the BASE 15 M, you can tilt your TV forward up to 15 degrees to get a great viewing angle. That means you can mount your TV higher up on the wall - saving even more space without sacrificing your TV watching experience.

The BASE series: strong and simple

By choosing a BASE series wall mount, you choose a solid, secure solution for mounting your TV on the wall. A sturdy lock release feature clicks your TV safely into the bracket. Mounting the BASE 15 M is easy, as it comes with clear mounting instructions and all the mounting materials you need. Need to tuck your TV away even further? Mount it in a corner to save even more space. Check out our full-motion TV wall brackets, perfect for any corner of the room.





BASE 15 M Tilting TV Wall Mount

www.vogels.com

VOGEL'S HOLDING BV 2019 (c) All rights reserved.
Subject to printing errors, technical and price amendments.
Date: 2019-02-13

Specifications

Product type number	BASE 15 M
Article number (SKU)	8343215
Colour	Black
EAN single box	8712285324246
Product size	M
TÜV certified	Yes
Tilt	Tilt up to 15°
Guarantee	Lifetime
Min. screen size (inch)	32
Max. screen size (inch)	55
Max. weight load (kg)	30
Min. hole pattern	100mm x 100mm
Max. hole pattern	400mm x 400mm
Max. bolt size	M8
Max. height of interface (mm)	420
Max. width of interface (mm)	488
Min. distance to the wall (mm)	52
Product group	Tv mount tilt
Service position	False
Spirit level included	False
Universal or fixed hole pattern	Universal
What's in the box	<ul style="list-style-type: none"> • Mounting instructions • TV mounting kit • Wall mount • Wall mounting kit
Product line	BASE

