

S062.287X

Business & VC Trolley



Installation Manual

- EN** Product manual
- DE** Produkthandbuch
- FR** Manuel de produit
- NL** Producthandleiding

CONTENTS

Declaration of Conformity	3
Safety Disclaimer	4
Mounting Instructions	5
User Manual	6
Instructions Reset Controlbox	8
Specification Sheet	12
Wiring Diagram	15
Notes	16
Contact Details	17



EU DECLARATION OF CONFORMITY

(In accordance with EN ISO/IEC 17050-1)

Name and address of manufacturer / EU-AR:
Vogel's
Hondsruglaan 93
5628 DB Eindhoven
Netherlands

THIS DECLARATION OF CONFORMITY IS ISSUED UNDER THE SOLE RESPONSIBILITY OF:

Name and address of manufacturer:
Vogel's
Hondsruglaan 93
5628 DB Eindhoven
Netherlands



Product identification:
SmartMetals BIS trolley
S062.287x

THE PRODUCTS MENTIONED IN THIS DECLARATION ARE IN CONFORMITY WITH:

EU Community Legislation
Electromagnetic Compatibility (EMC) Directive 2014/30/EU
Machinery Directive 2006/42/EC
Restriction of Hazardous Substances (RoHS) Directive 2011/65/EU

Harmonised standards
Safety of machinery
 EN 60204-1:2018
 EN ISO 12100:2010
 EN ISO 13857:2019
Safety of electrical equipment
 EN 60335-1:2012 + AC:2014 + A11:2014 + A13:2017 + A1:2019 + A2:2019 + A14:2019

Exposure of humans to electromagnetic fields (EMF)
 EN 12198-1:2000+A1:2008

Electromagnetic Compatibility (EMC)
 EN 55014-1:2017 + A11:2020
 EN 55014-2:2015
 EN IEC 61000-3-2:2019
 EN 61000-3-3:2013 + A1:2019

Restricted substances in electrical products
 EN IEC 63000:2018

SIGNED FOR AND ON BEHALF OF:

Place and date of issue: **Eindhoven, 17 March, 2025**

Signature:



MANUFACTURE SUPPORTS FOR AUDIO AND VIDEO EQUIPMENT
 Vogel's Products b.v. Hondsruglaan 93c
 5628 DB Eindhoven The Netherlands
 Tel.: +31 (0)40 - 2547400 Fax: +31 (0)40 2547405

Name, function: **Gerard Kanters**
Manager Quality & Assurance

Company name: **Vogel's**

Vogel's Products B.V. and its affiliated corporations and subsidiaries (SmartMetals) intend to make this manual accurate and complete. However, Vogel's makes no claim that the information contained herein covers all details, conditions or variations, nor does it provide for every possible contingency in connection with the installation or use of this product. The information contained in this document is subject to change without notice or obligation of any kind. Vogel's makes no representation of warranty, expressed or implied, regarding the information contained herein. Vogel's assumes no responsibility for accuracy, completeness or sufficiency of the information contained in this document. All rights reserved.

DEFINITIONS

MOUNTING SYSTEM: A MOUNTING SYSTEM is the primary Vogel's product to which an accessory and/or equipment is attached.

ACCESSORY: AN ACCESSORY is the secondary Vogel's product which is attached to a primary Vogel's product, and may have equipment attached or setting on it.

EQUIPMENT: With EQUIPMENT we mean an audiovisual item designed to be attached or resting on an accessory or mounting system such as a video camera, CPU, screen, display, projector, etc.

INSTALLER: Wherever in this document an installer is mentioned, a certified installer is meant.

WARNING: A WARNING alerts you to the possibility of serious injury or death if you do not follow the instructions.

CAUTION: A CAUTION alerts you to the possibility of damage or destruction of equipment if you do not follow the corresponding instructions.

IMPORTANT SAFETY INSTRUCTIONS

WARNING: Failure to read, thoroughly understand, and follow all instructions can result in serious personal injury, damage to equipment, or voiding of factory warranty! It is the certified installer's responsibility to make sure all mounting systems/ accessories are properly assembled and installed using the instructions provided.

DANGER: To reduce the risk of electric shock: Always unplug this furnishing from the electrical outlet before cleaning.

WARNING: To reduce the risk of burns, fire, electric shock, or injury to persons:

- 1.!Unplug from outlet before putting on or taking off parts.
- 2.!Close supervision is necessary when this furnishing is being used by, or near, children, invalids, or disabled persons.
- 3.!Use this furnishing only for its intended use as directed in these instructions. Do not use attachments not recommended by the manufacturer.
- 4.!Never operate this furnishing if it has a damaged cord or plug, if it is not working properly, if it has been dropped or damaged, or dropped into water. Return the furnishing to a service center for examination and repair.
- 5.!Keep the cord away from heated surfaces.
- 6.!Never operate the furnishing with the air openings blocked. Keep the air openings free of lint, and the like.
- 7.!Never drop or insert anything into any opening.
- 8.!Do not use outdoors.
- 9.!Do not operate where aerosol (spray) products are being used, or where oxygen is being administered.
- 10.!To disconnect, turn all controls to the off position. Then remove plug from outlet.
- 11.!Do not exceed duty cycle: Max. 10% or 2 minutes continuous use followed by 50 minutes not in use.

WARNING: Risk of Electric Shock! Connect this furnishing to a properly grounded outlet only.

WARNING: Failure to provide adequate structural strength for this mounting system can result in serious personal injury or damage to equipment! It is the certified installer's responsibility to make sure the structure to which this mounting system is attached can support five times the combined weight of all equipment. Reinforce the structure as required before installing the mounting system.

WARNING: Use this mounting system only for its intended use as described in these instructions. Do not use attachments not recommended by the manufacturer.

WARNING: Never operate this mounting system if it is damaged. Return the mounting system to a service center for examination and repair.

WARNING: RISK OF INJURY TO PERSONS! Do not place video equipment such as televisions or computer monitors on trolley legs.

WARNING: Exceeding the weight capacity can result in serious personal injury or damage to equipment! It is the certified installer's responsibility to make sure the combined weight of all accessories and equipment attached to the SMUS- 1030 assembly up to (and including) the display does not exceed the maximum load of 220 lbs / 100 kg. Use with heavier screens may result in instability causing tip over resulting in death or serious injury! The height adjustable feature of this trolley will not function properly if the weight exceeds the given maximum load.

WARNING: RISK OF SERIOUS INJURY OR DEATH!
Placing a remote control or toy on the trolley may encourage a child to climb onto the trolley causing the trolley to tip over onto the child. DO NOT place remote controls or toys on the lift!

WARNING: RISK OF SERIOUS INJURY OR DEATH!
Relocating audio and/or video equipment to the trolley may result in the trolley collapsing or overturning onto a child. DO NOT relocate audio and/or video equipment to the trolley!

CAUTION: One end of the power cord must remain accessible at all times! Do not block or impede access to plug at any time!


NOTE: The S062.287X has no user serviceable parts.

NOTE: The S062.287X trolley can support all kinds of screen sizes as long as the distance between top of wheel frame and bottom screen is at least 1.38 inch / 35mm.

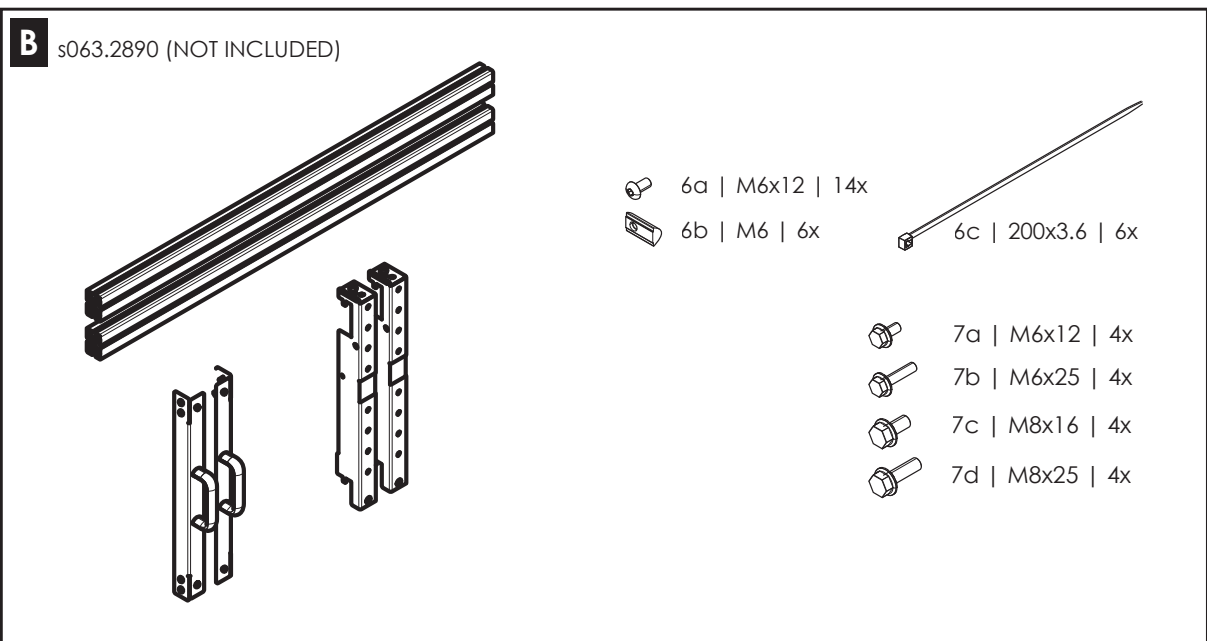
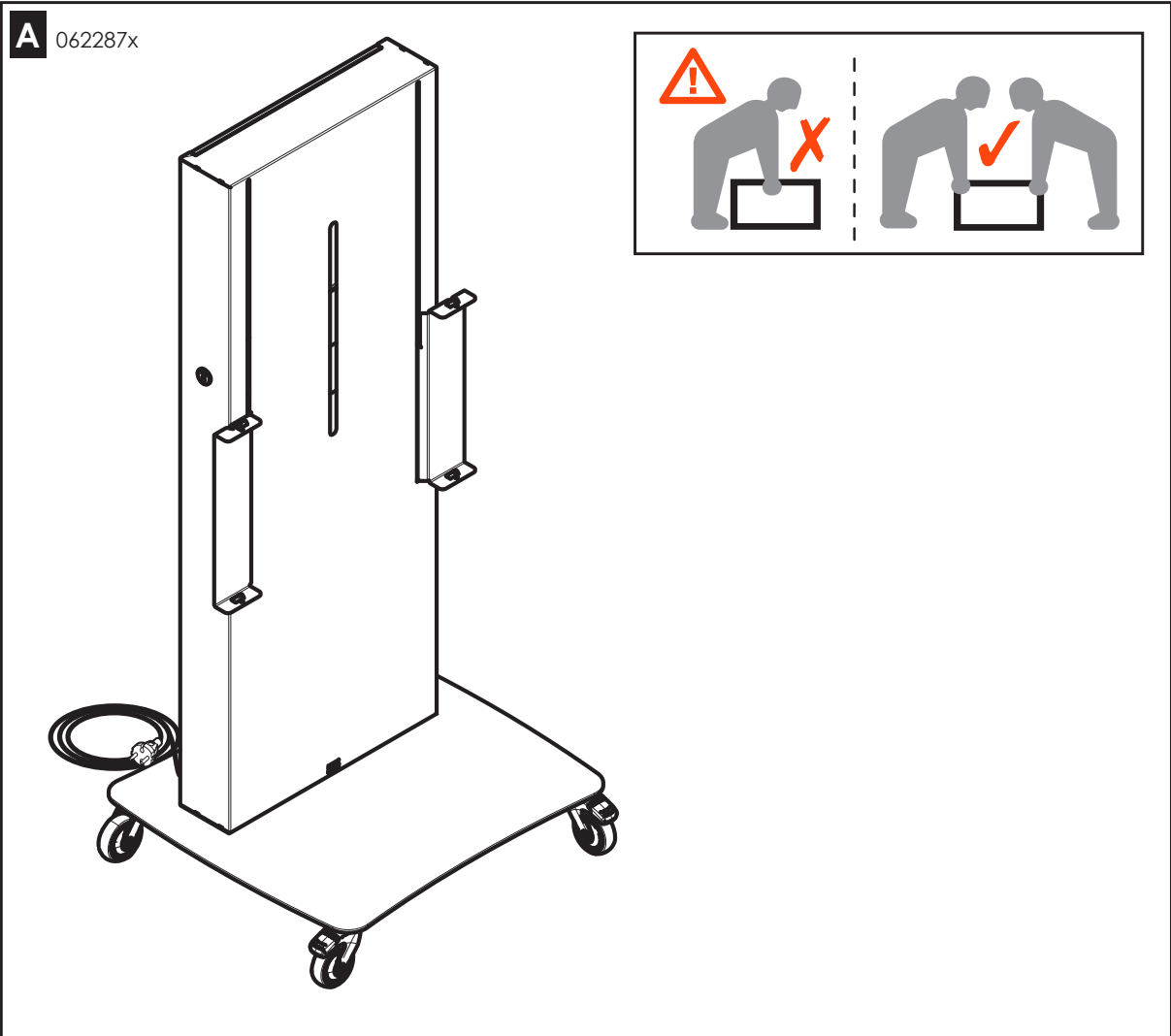
SERVICING OF DOUBLE-INSULATED PRODUCTS

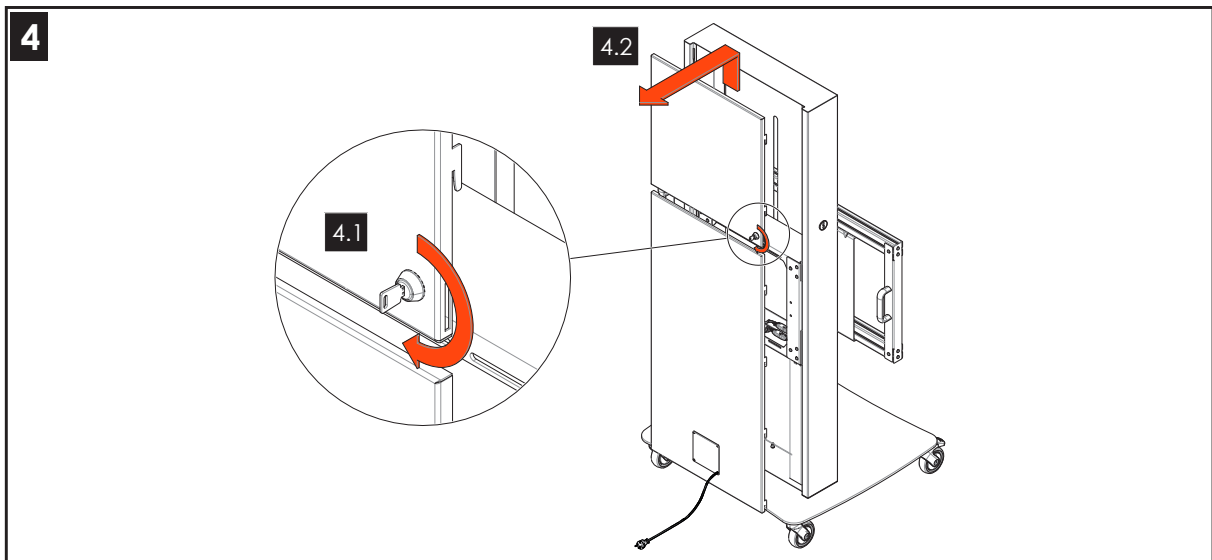
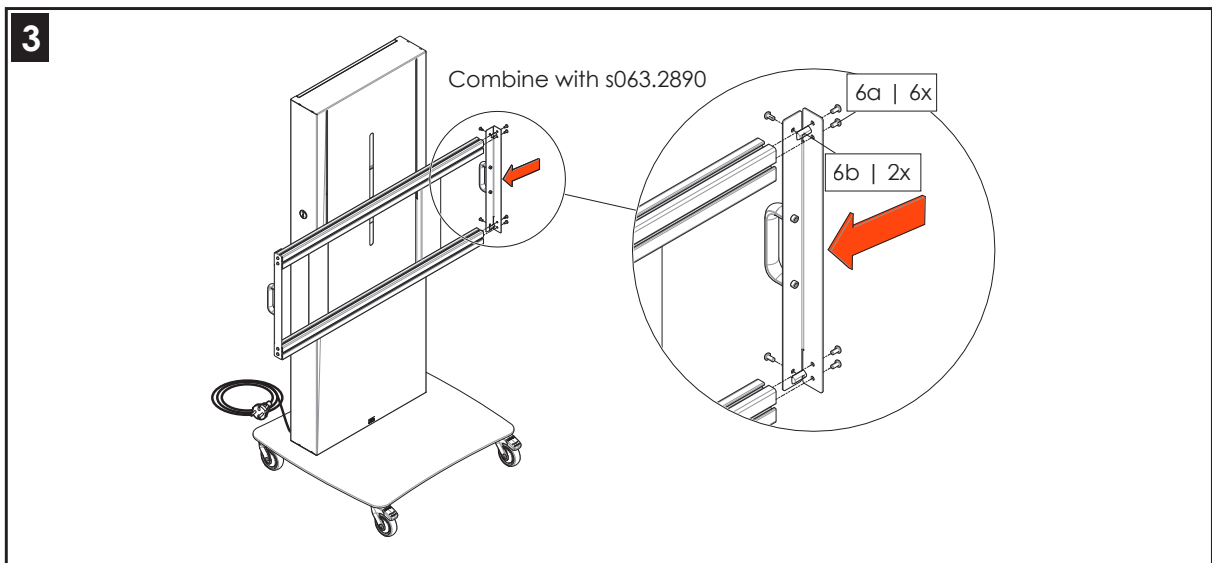
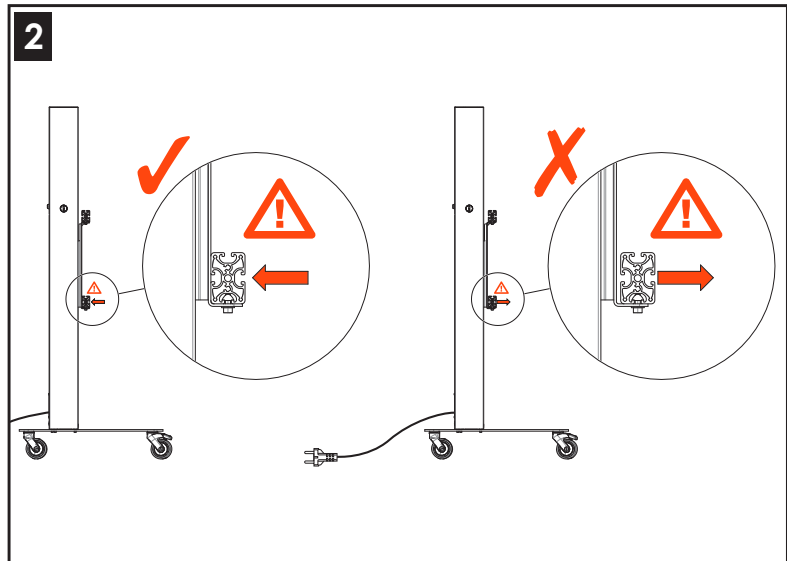
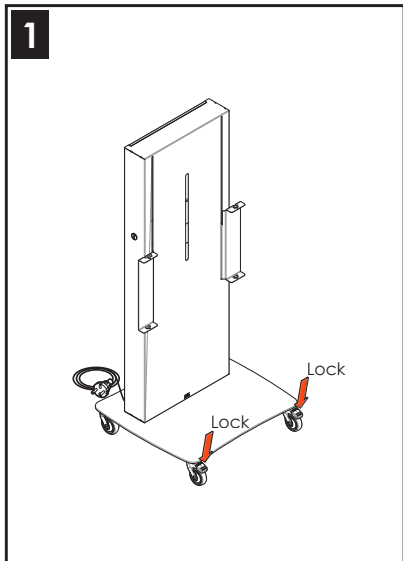
In a double-insulated product, two systems of insulation are provided instead of grounding. No grounding means is provided on a double-insulated product nor should a means for grounding be added to the product. Servicing a double-insulated product requires extreme care and knowledge of the system and should only be done by qualified service personnel.

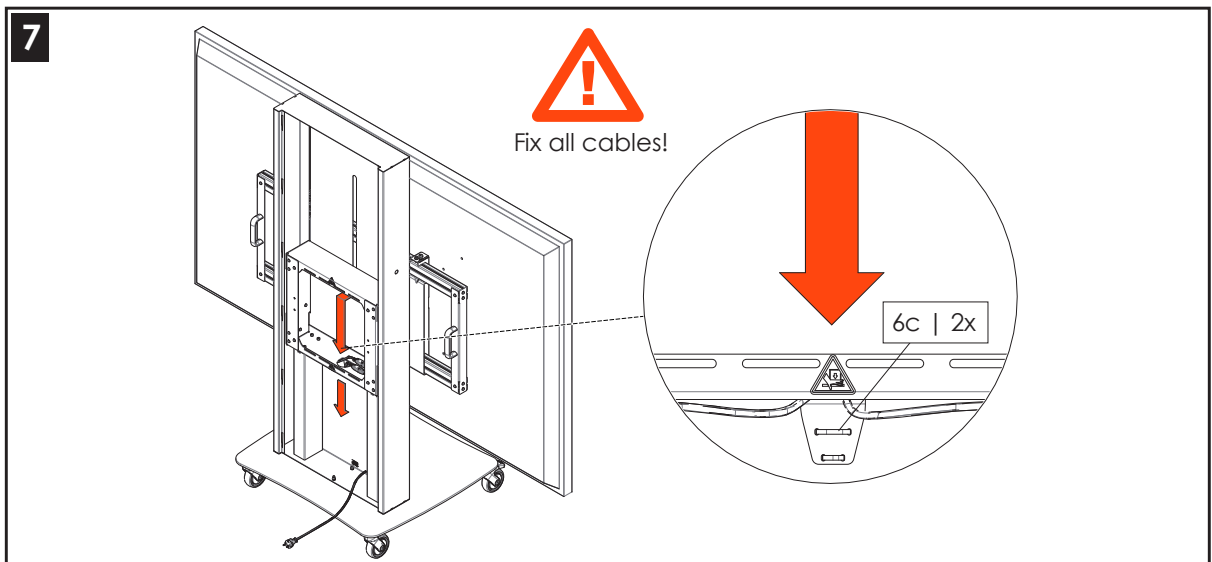
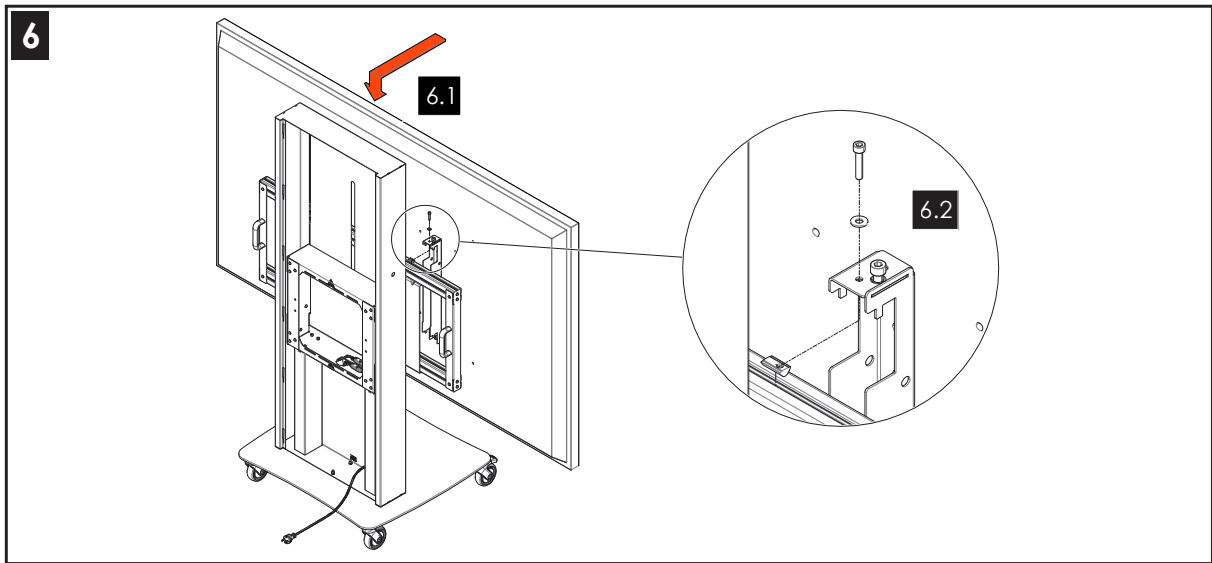
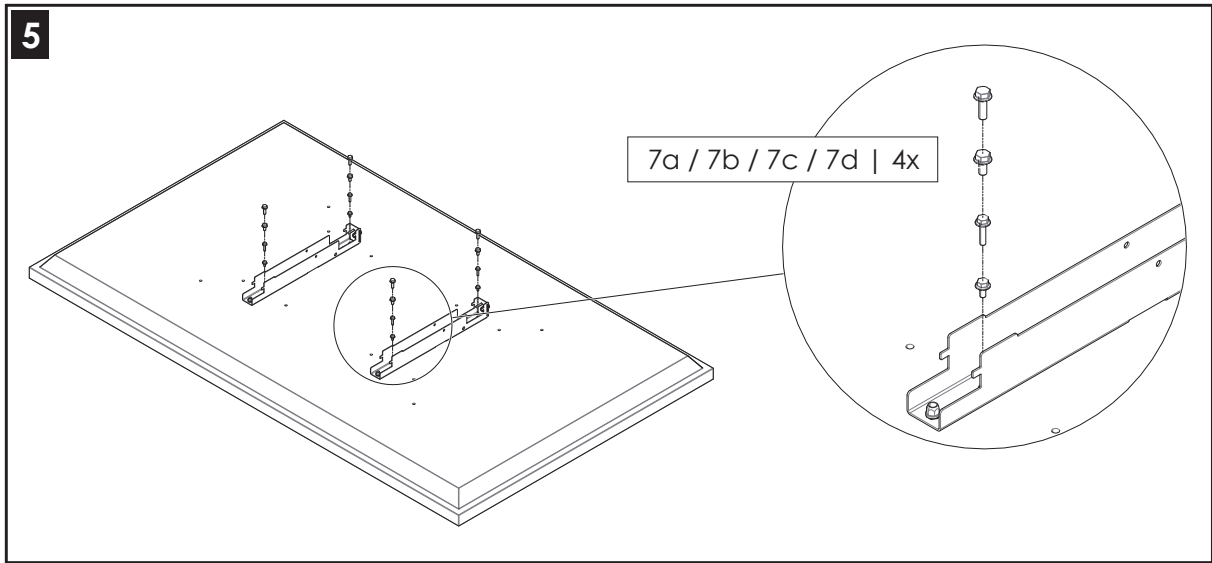
Replacement parts for a double-insulated product must be identical to those parts in the product. A double insulated product is marked with the words "DOUBLE INSULATION" or "DOUBLE INSULATED".

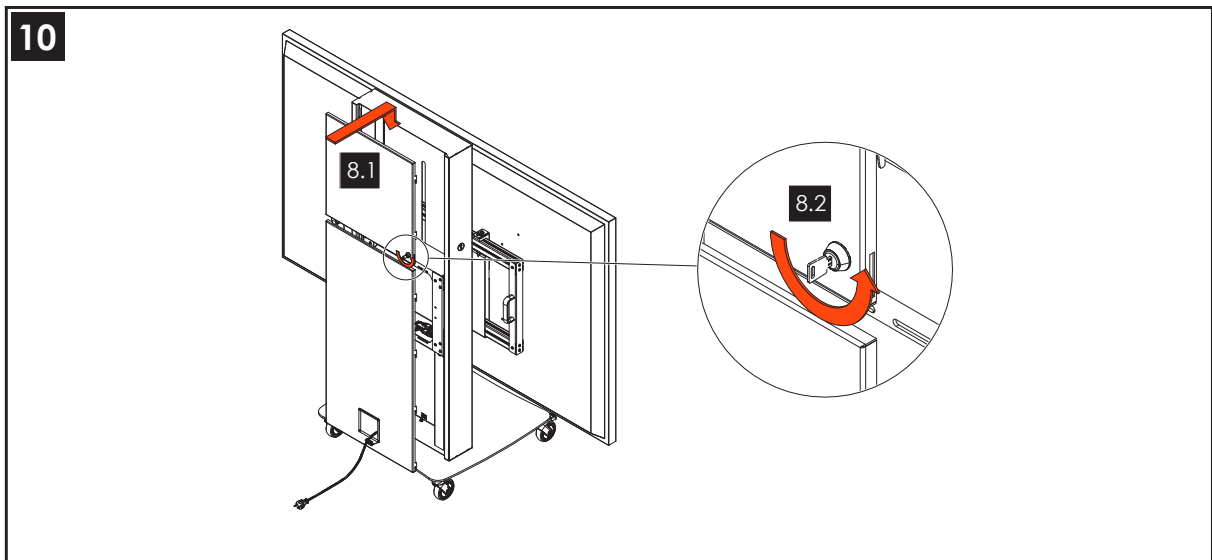
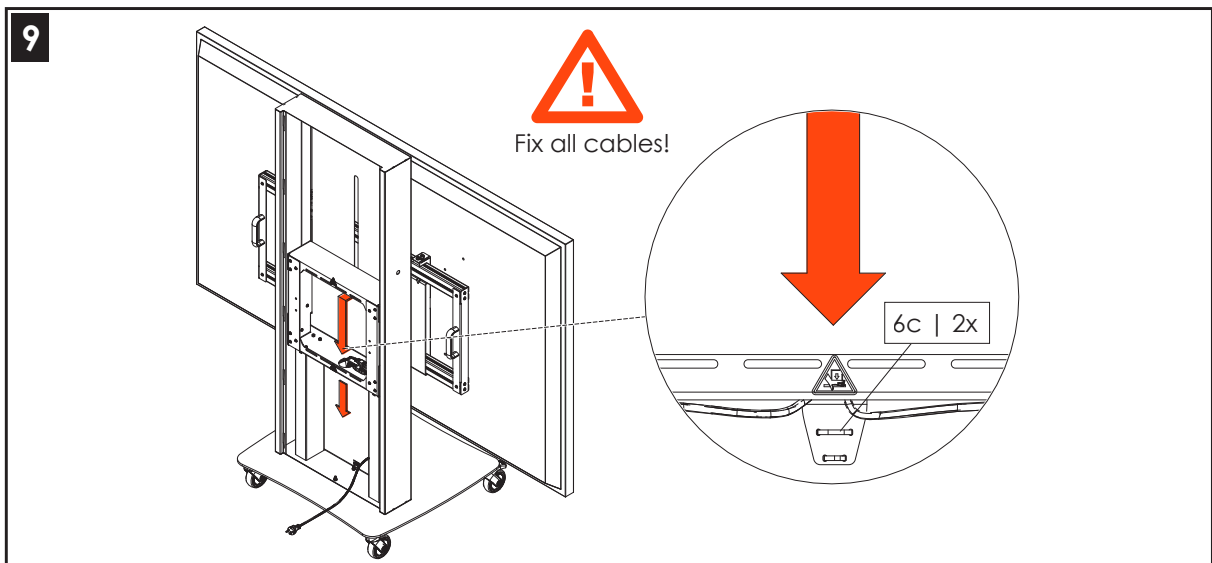
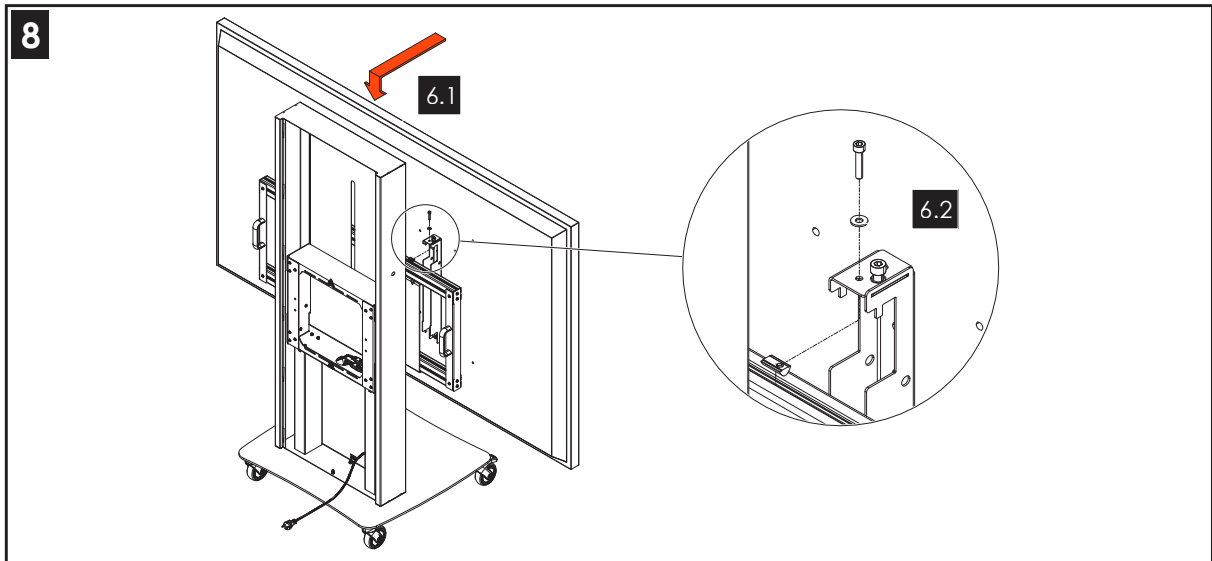
The symbol  may also be marked on the product.

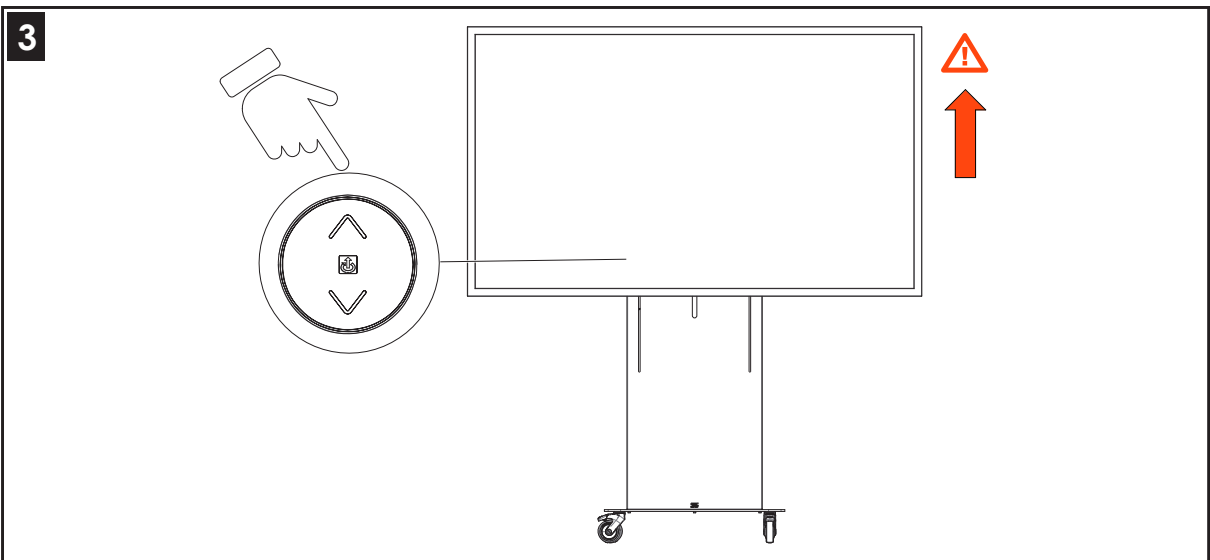
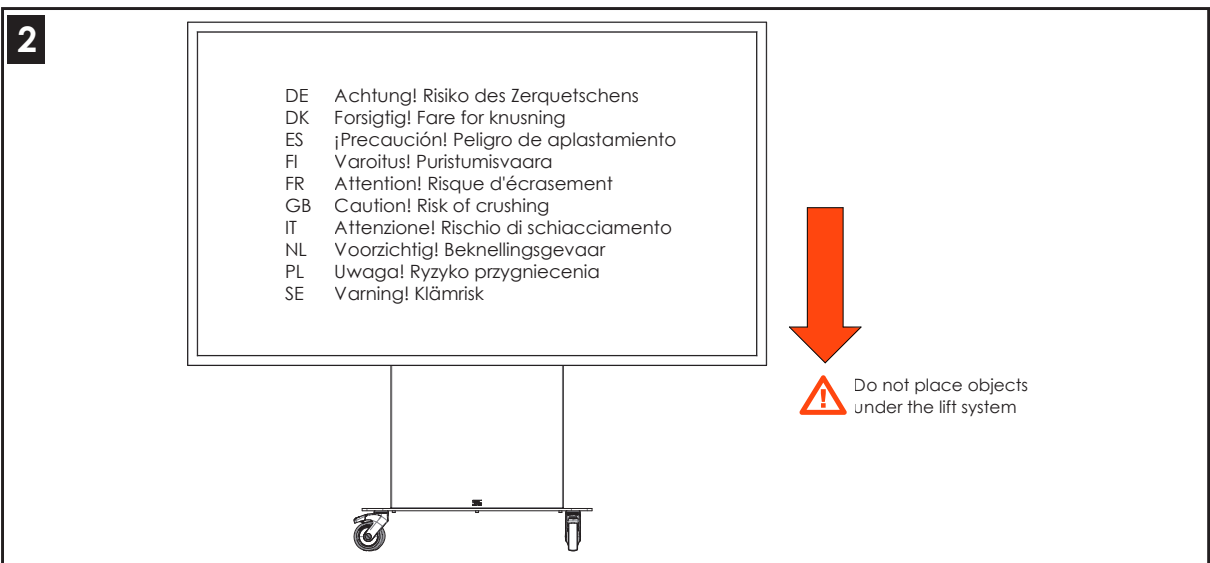
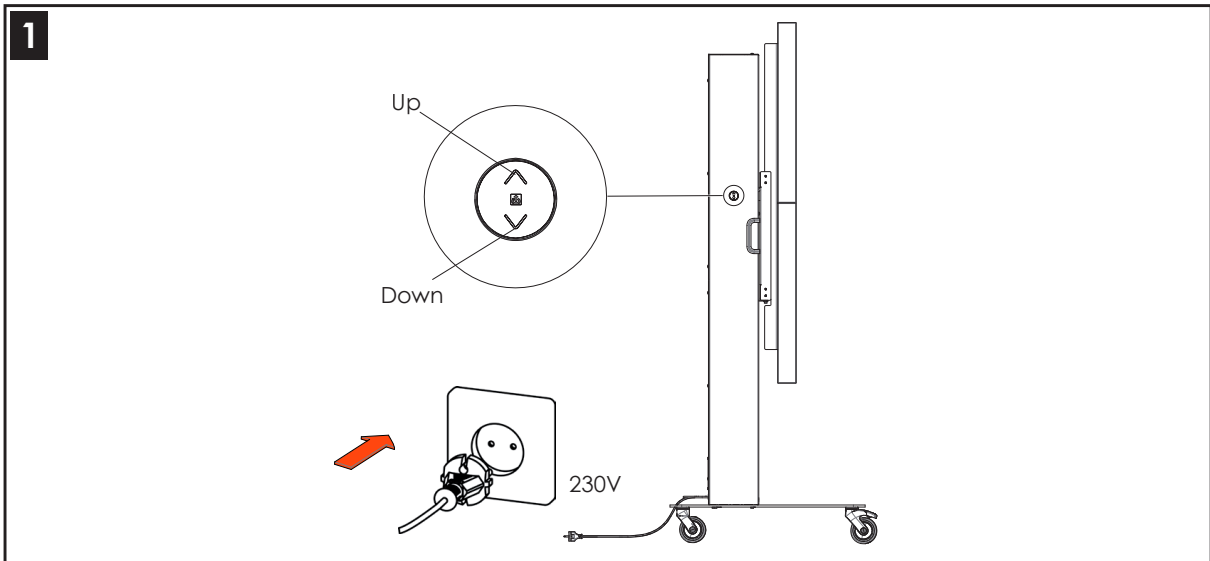
--SAVE THESE INSTRUCTIONS--



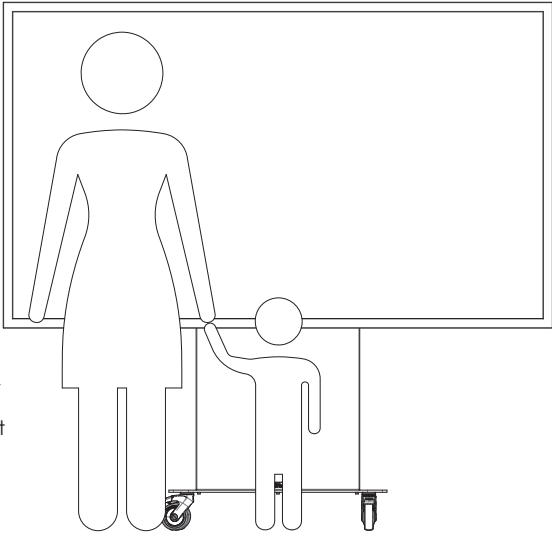







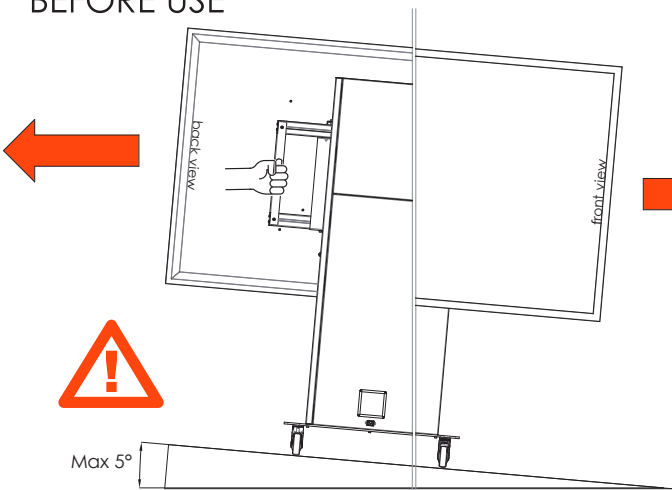


4




Children older than six years, may use the product only under supervision of an adult

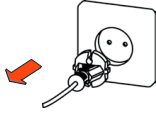
5 BEFORE USE



Max 5°


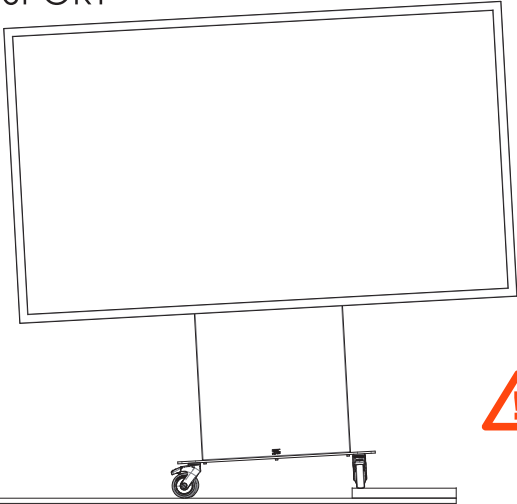


Two persons required to move the product

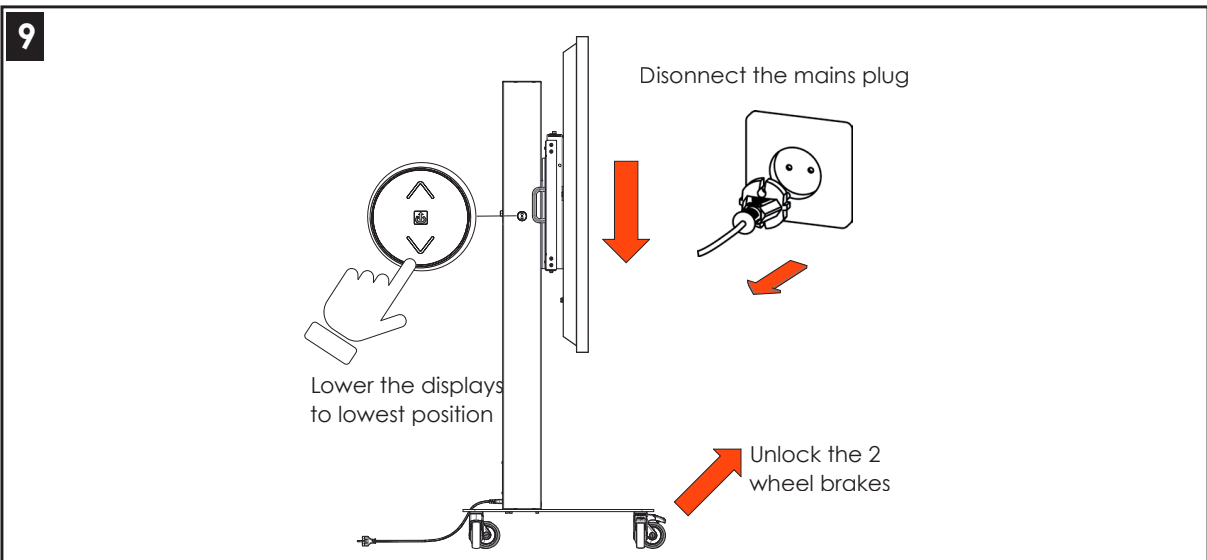
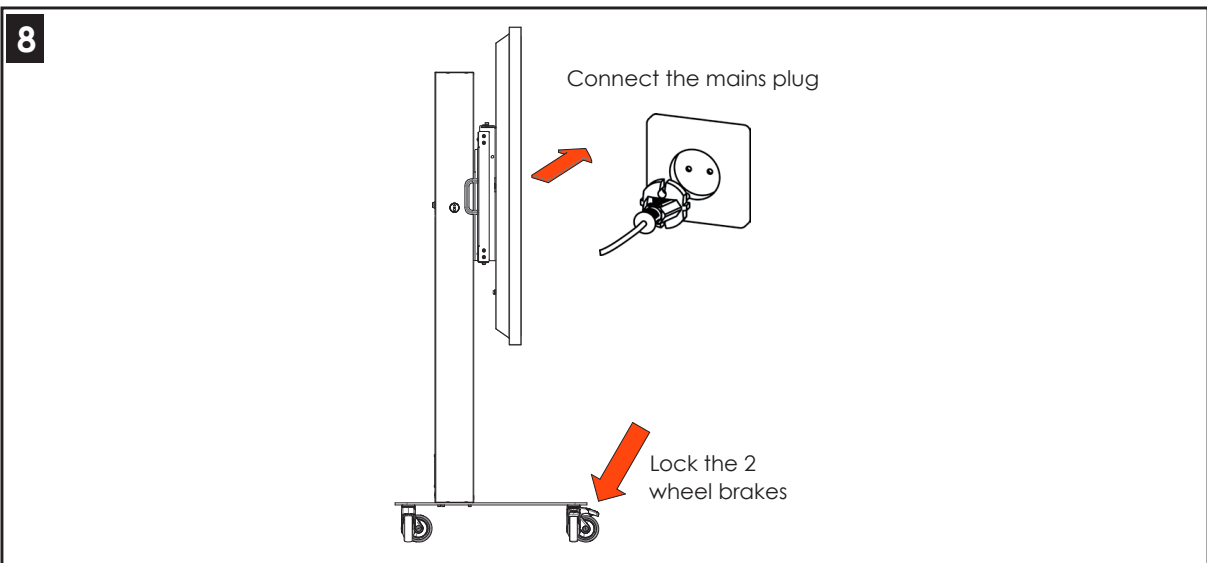
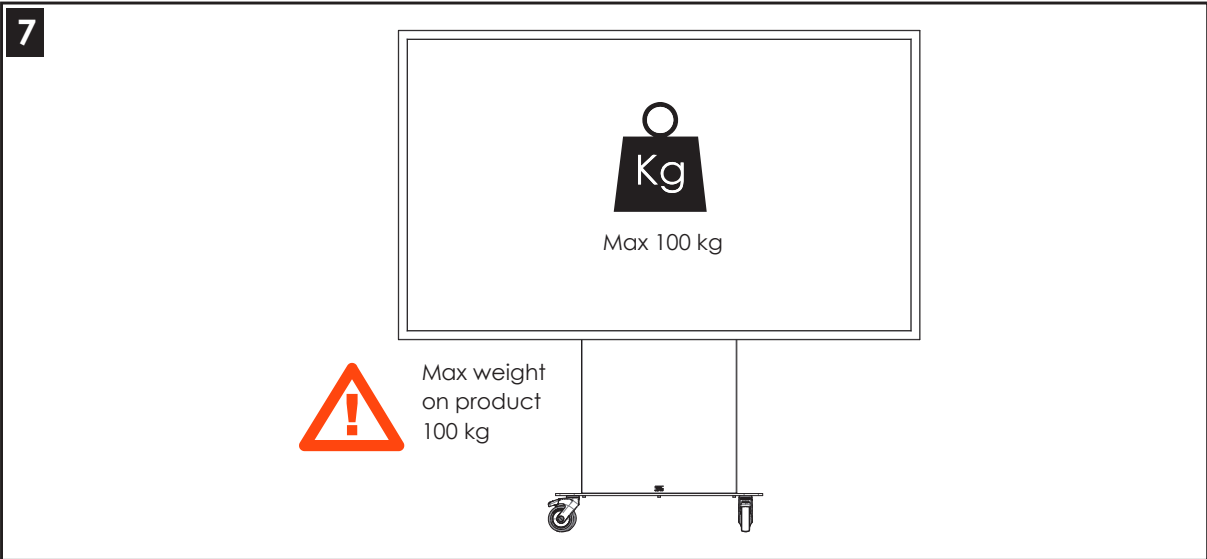


Disconnect the mains plug before moving the product

6 BEFORE TRANSPORT

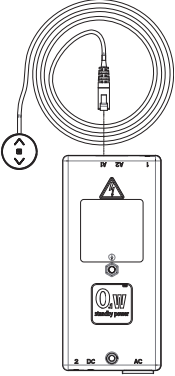


Caution when passing doorsteps



1

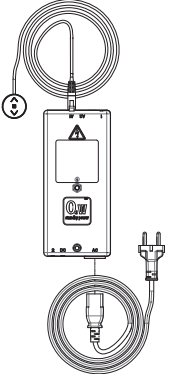
Check the connection from the remote to the controlbox



The diagram shows a remote control with a coiled cable connected to a control box. The control box has a warning triangle and a power button. The remote has a small display and a power button.

2

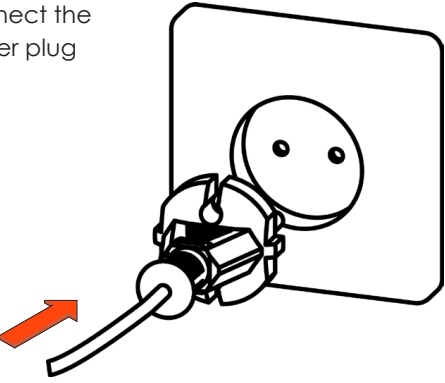
Check the connection from the power plug to the controlbox



The diagram shows a power plug connected to a control box. The control box has a warning triangle and a power button. The power plug is connected to a power source.

3

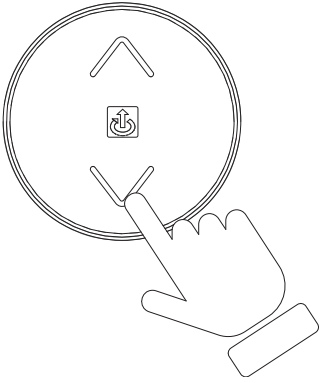
Connect the power plug



The diagram shows a power plug being inserted into a wall outlet. A red arrow points to the plug, indicating the direction of insertion.

4

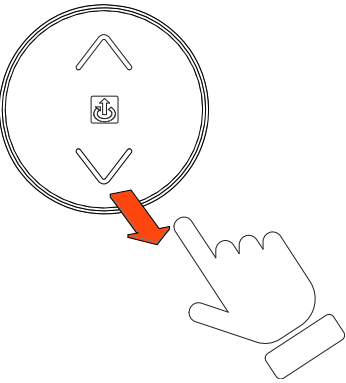
Move to lowest position



The diagram shows a hand moving a dial to the lowest position. The dial has an up arrow, a power button, and a down arrow. The hand is pointing to the down arrow.

5

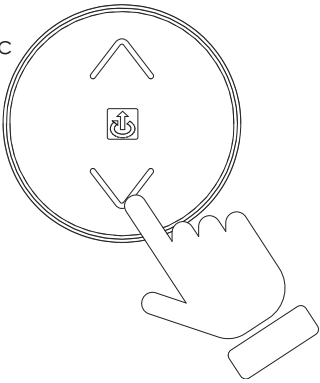
Release the down button



The diagram shows a hand releasing the down button. The dial has an up arrow, a power button, and a down arrow. The hand is pointing to the down arrow, and a red arrow points to the dial, indicating the direction of release.

6

Push the down button for 30 sec

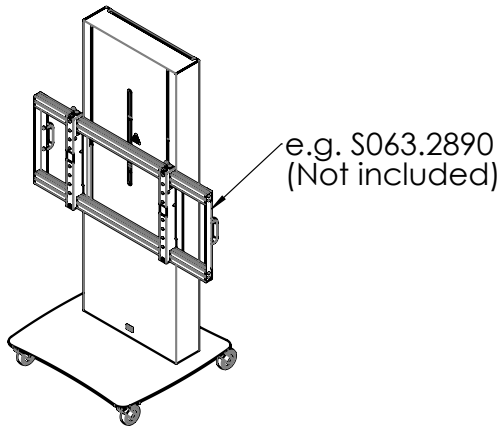


The diagram shows a hand pushing the down button for 30 seconds. The dial has an up arrow, a power button, and a down arrow. The hand is pointing to the down arrow. A timer icon shows 30s.

Product data sheet

S062.2872 | | Business & VC Trolley | | electric height adjustment

Dimensions in mm [inch]



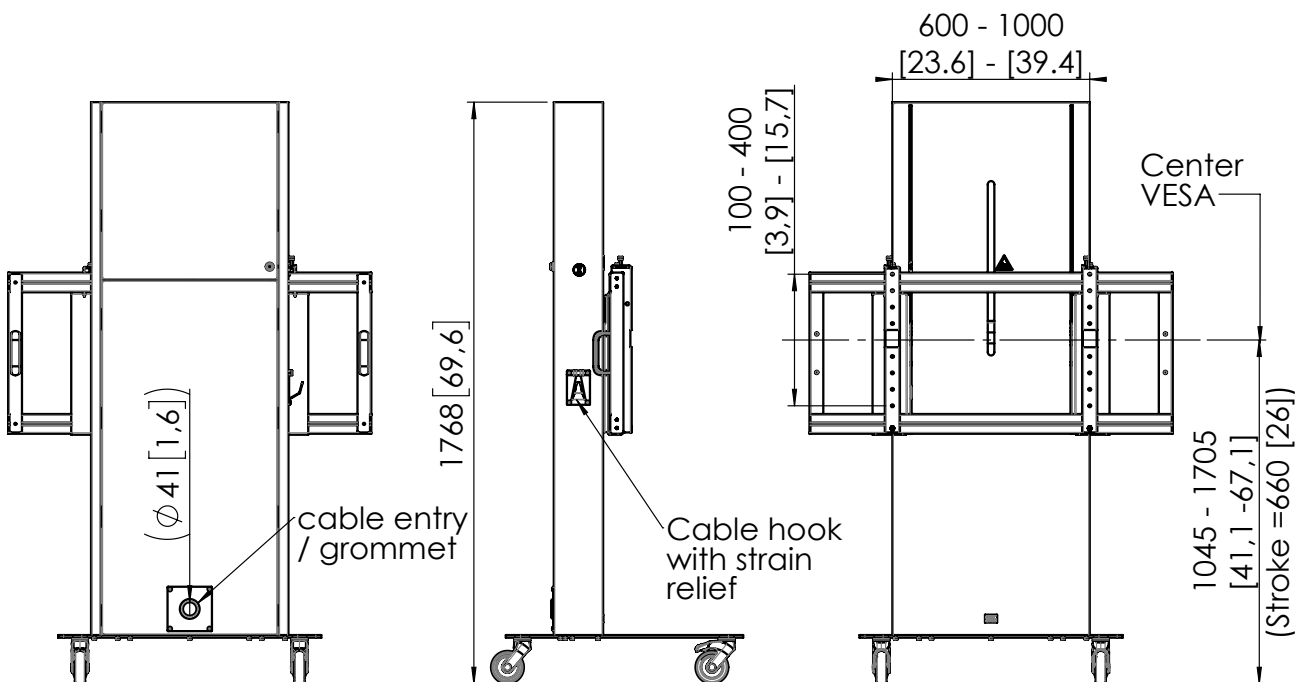
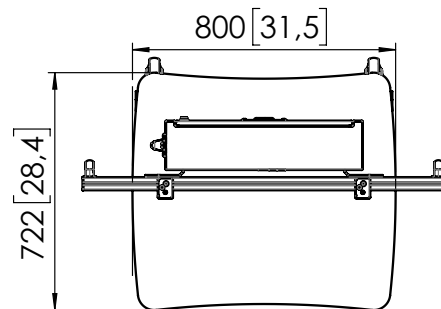
Screen sizes:	1x 55 inch - 86 inch 2x 55 inch - 65 inch
Max load:	100 kg / 220,5 lbs
Net weight:	T.B.D.
Gross weight:	T.B.D.
Orientation:	Landscape

Compatible interfaces (not included):

- S063.2890 - 1x 86 inch VESA 1000x400
- S063.2891 - 2x 65 inch VESA 2000x400
- S030.1035 - 1x Cisco Webex Board Pro 55 inch
- S030.1045 - 1x Cisco Webex Board Pro 75 inch
- S172.0008 - Landscape adaptor VESA 400 -> 600



Power supply:	100-240V ~ 50/60Hz
Rated current:	EU/UK: 6A, US/CA: 15A
Power consumption lift system:	T.B.D.
Max power external devices:	T.B.D.



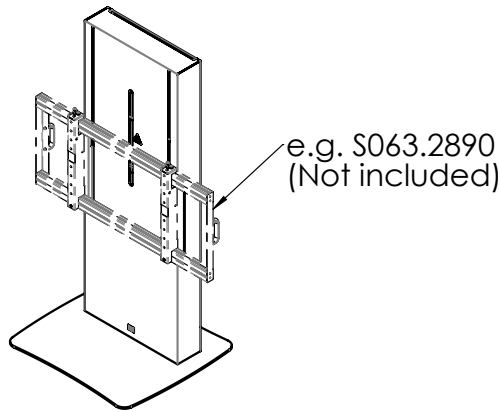
Note: This document and specifications herein are confidential and the exclusive property of Vogel's Products b.v. Neither this design nor any information contained in this drawing may be reproduced or disclosed to others without written consent of Vogel's Products b.v. The design and information will not be reproduced, copied or used, either in part or in its entirety, as the basis for the manufacture or sale of items without written permission.
Warning: Please study all instructions and illustrations carefully before installation.
 Information in this document is subject to change without further notice.

T511423 00
Product data sheet
06-02-25

Product data sheet

S062.2873 | | Business & VC Stand | | electric height adjustment

Dimensions in mm [inch]



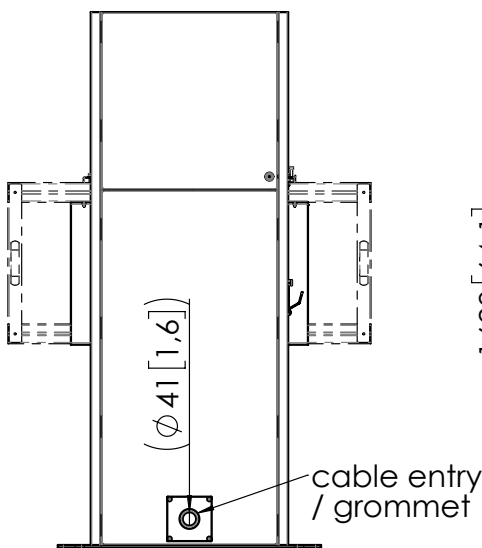
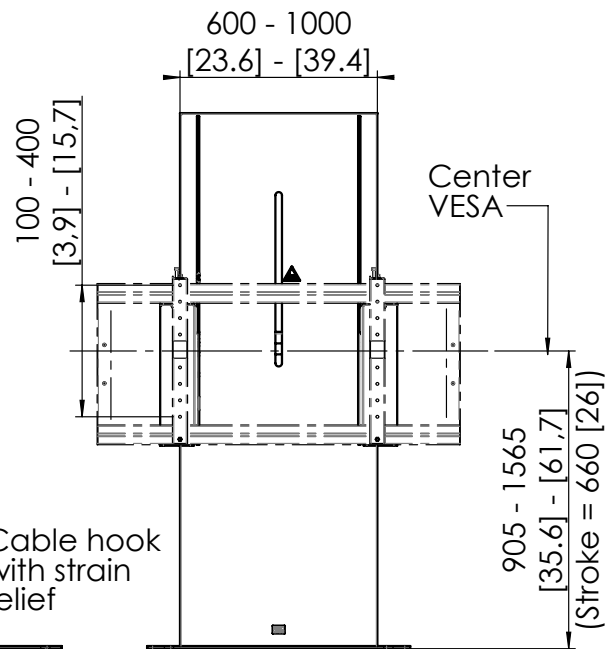
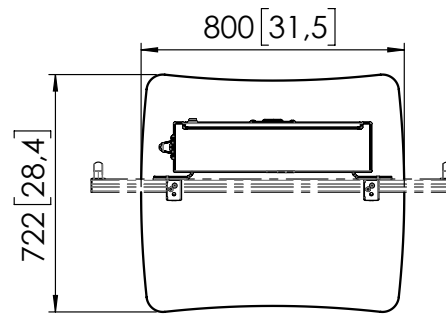
Screen sizes:	1x 55 inch - 86 inch 2x 55 inch - 65 inch
Max load:	100 kg / 220,5 lbs
Net weight:	T.B.D.
Gross weight:	T.B.D.
Orientation	Landscape

Compatible interfaces (not included):

- S063.2890 - 1x 86 inch VESA 1000x400
- S063.2891 - 2x 65 inch VESA 2000x400
- S030.1035 - 1x Cisco Webex Board Pro 55 inch
- S030.1045 - 1x Cisco Webex Board Pro 75 inch
- S172.0008 - Landscape adaptor VESA 400 -> 600



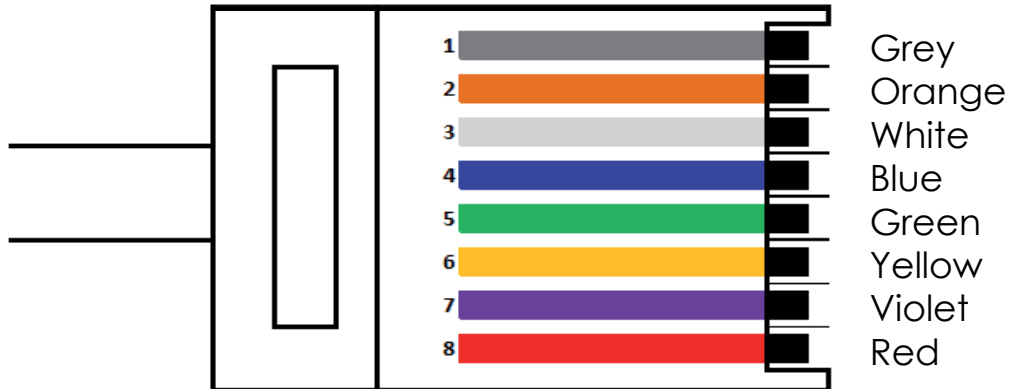
Power supply:	100-240V ~ 50/60Hz
Rated current:	EU/UK: 6A, US/CA: 15A
Power consumption lift system:	T.B.D.
Max power external devices:	T.B.D.



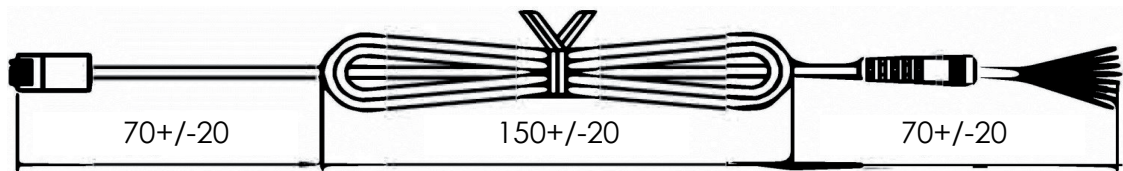
Note: This document and specifications herein are confidential and the exclusive property of Vogel's Products b.v. Neither this design nor any information contained in this drawing may be reproduced or disclosed to others without written consent of Vogel's Products b.v. The design and information will not be reproduced, copied or used, either in part or in its entirety, as the basis for the manufacture or sale of items without written permission.
Warning: Please study all instructions and illustrations carefully before installation.
 Information in this document is subject to change without further notice.

T507424 00
Product data sheet
23-07-24

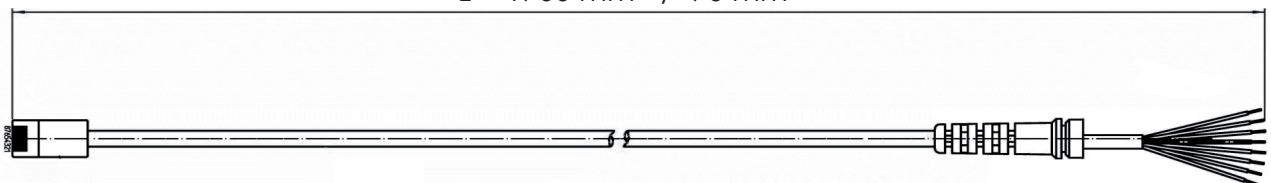
RJ45 8 pins control cable



Cable wire color	Function	RJ45 8 Pin plug no.
Blue + Green	Reference 1 Up	RJ45 Pin 4 + 5
Blue + Red	Reference 1 Down	RJ45 Pin 4 + 8
White + Green	Reference 2 Up	RJ45 Pin 3 + 5
White + Red	Reference 2 Down	RJ45 Pin 3 + 8
Orange + Green	Reference 3 Up	RJ45 Pin 2 + 5
Orange + Red	Reference 3 Down	RJ45 Pin 2 + 8



L = 1700 mm +/- 70 mm



Vogel's Products BV

HONDSRUGLAAN 93,
5628 DB EINDHOVEN,
THE NETHERLANDS

T +31 (0)40 264 74 00

E info@vogels.com

W www.vogels.com

- (GB) Subject to printing errors and technical amendments.
(NL) Drukfouten en technische wijzigingen voorbehouden.
(F) Sous réserve de fautes d'impression et de modifications techniques.
(D) Für Druckfehler übernehmen wir keine Verantwortung. Technische Änderungen vorbehalten.
(E) Reservados errores de imprenta y sujeta a modificaciones.
(I) Con riserva di modifiche tecniche e di eventuali errori di stampa.
(P) Reserva-se a ocorrência de galhas e de modificações técnicas.
(H) Nyomdahibák és technikai változtatások joga fenntartva.
(PL) Zastrzega się możliwość występowania błędów drukarskich i zmian technicznych.
(RUS) Возможны ошибки при печати и технические модификации.

Designed and engineered in the Netherlands. More information on: www.vogels.com

VOGEL'S PRODUCTS BV, HONDSRUGLAAN 93, 5628 DB EINDHOVEN, THE NETHERLANDS