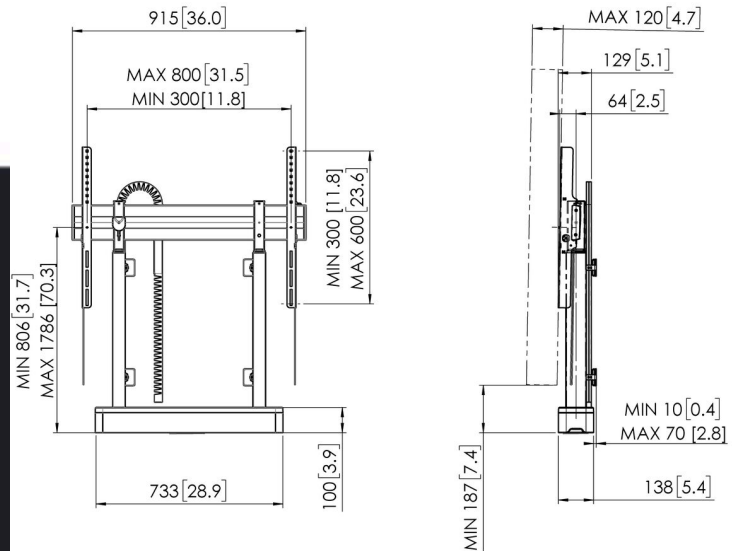




RISE 2005 Motorized Display Lift floor-wall Solution 50 mm/s (black, EU)

Article number (SKU): 7320050
Colour: Black



Tender specifications

BRAND AND PRODUCT: Vogel's RISE 2005; motorized display lift; floor-wall solution; colour: black; MARKET SEGMENTATION: motorized display lift ideal for use in a school, meeting room, lobby or boardroom; market segment education; market segment corporate; SUITABLE FOR: Suitable for (interactive, touchscreen) displays 65 inch to 86 inch; Max. weight of display 140 kg / 308.65 lbs; MATERIALS: lift console stainless steel; lift console black powder coated according to RoHs guidelines; engine exclusively developed for Vogel's; aluminium interface bar; FEATURES: TÜV-5 tested; endurance test of at least 30,000 cycles; CE certificate; UL applied (2021); GS applied (2021); warranty 5 years; easy top-down assembly; universal interface suitable for any brand of interactive flat panel display upto 86 inch; lift speed 50mm/s with display upto 120 kg / 264.55 lbs; extra low position for children; base construction close to wall for extra safety; child-lock for lift movement; anti-collision protection: when in contact with object lift moves in opposite direction; environment-friendly packaging entirely without EPP | EPS; special RISE accessories available for RISE display lifts; TECHNICAL SPECIFICATIONS: Min. VESA 300 x 300mm / 11.8 x 11.8 inch; Max. VESA 800 x 600 / 31.5 x 23.6 inch; Min.-Max. distance floor to centre display 806 - 1786mm / 31.7 - 70.3 inch ; Min.-Max. distance to wall 10 - 70mm / 0.4 - 2.8 inch; 980mm / 38.58 inch height adjustable; lift speed 50mm/s; ower supply 100-240v ~ 50/60Hz; rated current EU/UK: 6A, US/CA: 15A; pheripherals: Max. 900W; standby power consumption 0.5W; cable management included; product width x depth, 915 x 138 mm / 36.0 x 5.4 inch; net weight 29.5 kg / 65.0 lbs; LOGISTICS INFORMATION: box dimensions (mm) 951 x 743 x 178; gross weight 30,8 kg / 67.9 lbs ; pcs/pallet (CP5 in 40ft HC) 15; pcs/pallet (warehouse) 9; PRODUCT PROPOSITION: Motorized display lift for intuitive and safe use of a screen at the correct height; Vogel's Products BV.



Article number (SKU): 7320050
Colour: Black

Key Benefits

- Height adjustment range of no less than 980 mm
- Movement speed of 50 mm/s for the heaviest screens with QuickRise™
- TÜV and CE certified
- Lock your TV with a single click through ClickLoc™
- Integrated cable management (CIS®)

Adjust your screen to the right height smoothly and safely

The RISE 2005 motorized display lift floor-wall solution holds interactive flat panel displays up to 86" (max. 140 kg). Effortlessly reach the right height at a speed of 50 mm/s with QuickRise™. A travel range of 980 mm is suitable for very low or high positions.

Safety first

The floor and wall mounting ensures that it will be solidly fixed in place in any room. All Vogel's display lifts comply with the highest international safety standards of TÜV and CE (UL and GS on request).

Sustainability is a key component of the RISE Series display lifts. Vogel's offers an endurance tested design of the display lift of over 30,000 cycles. No EPP | EPS is used in the packaging. There is also a reduction of 85% single used plastic in the packaging. This keeps waste streams to a minimum.

VOGEL'S HOLDING BV (©)

All rights reserved.

Subject to printing errors, technical and price amendments.

Date: 2022-10-03