

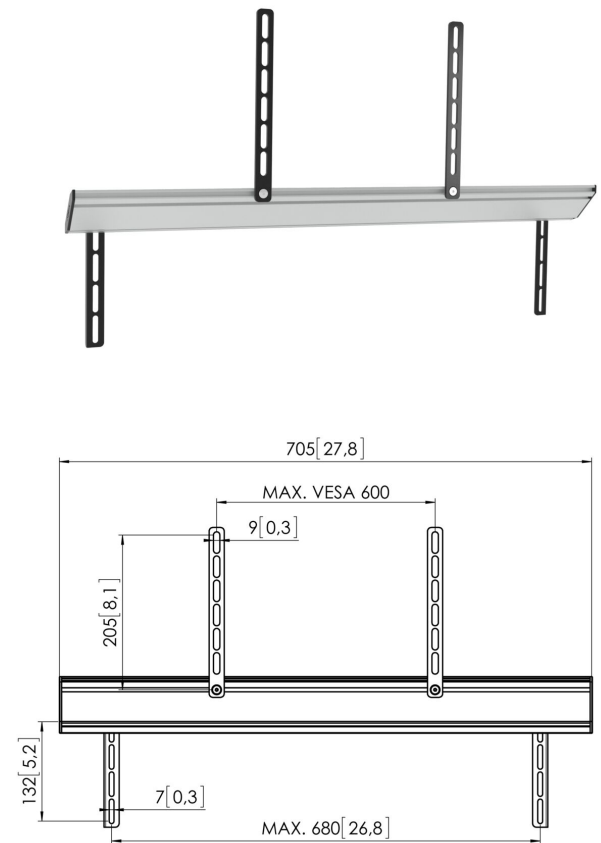


SOUND 3450 Sound Bar Mount

Key Benefits

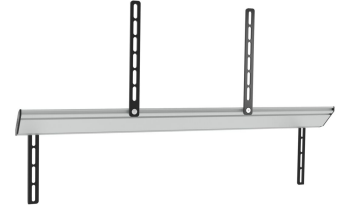
- Create the best listening position
- Enjoy sound that turns with your TV
- Keep your soundbar flush with your TV thanks to adjustable height and depth

When you turn your TV from side to side you want your soundbar to move with the TV screen. Vogel's universal Sound Bar Mount (SOUND 3450) is made especially for turnable flat screen TVs. The soundbar always faces you so the picture and sound never lose sync.





SOUND 3450 Sound Bar Mount



Specifications

Article number (SKU)	8153450
Colour	Silver
EAN single box	8712285326684
TÜV certified	Yes
Guarantee	5 years
Max. weight load (kg/Lbs)	10 / 22.05
Adjustable height	True
Certifications	TÜV
Speaker models	Universal Sonos PLAYBAR HEOS Bar

VOGEL'S HOLDING BV (©)

All rights reserved.
Subject to printing errors,
technical and price
amendments.

Date: 2023-01-13

