



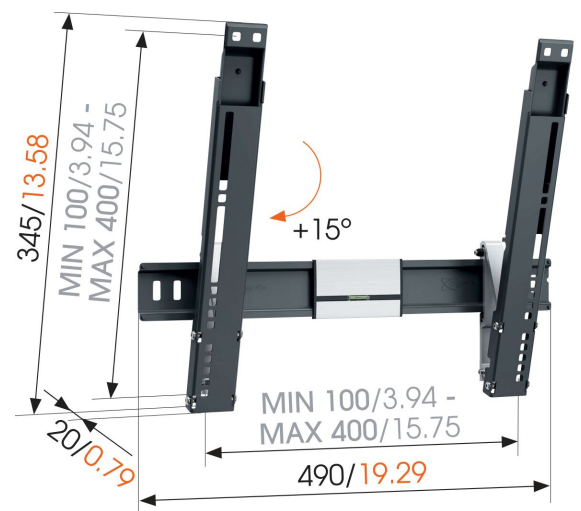
THIN 415 ExtraThin Tilting TV Wall Mount

Key Benefits

- Mount your TV only 2 cm from the wall
- Tilt (up to 15°) to avoid reflections
- Install your mount perfectly level: spirit level included!
- Use the app and mark the first drilling hole easily!

Thin TV bracket with tilting function

The THIN 415 tilting TV bracket has a maximum weight capacity of 18 kg. The THIN 415 is suitable for virtually any model of TV, from 26" to 55" (66-140 cm). The maximum tilt angle is 15°, the distance from the wall is 20 mm. After installation the wall mount is barely noticeable.



mm/inch
VESA mounting holes



THIN 415 ExtraThin Tilting TV Wall Mount

Specifications

Min. screen size (inch)	26
Max. screen size (inch)	55
Min. hole pattern	100mm x 100mm
Max. hole pattern	400mm x 400mm
Max. horizontal hole pattern (mm)	400
Max. vertical hole pattern (mm)	400
Universal or fixed hole pattern	Universal
Max. height of interface (mm)	345
Max. width of interface (mm)	490
Max. weight load (kg)	18
Max. weight load (Lbs)	39.68
Tilt	Tilt up to 15°
Spirit level included	Yes
Article number (SKU)	8394150
EAN single box	8712285334900
Colour	Black
Certifications	TÜV
TÜV certified	Yes
Guarantee	Lifetime

VOGEL'S HOLDING BV (©)

All rights reserved.
Subject to printing errors,
technical and price
amendments.

Date: 2025-05-28



Vogel's. For Sure.