

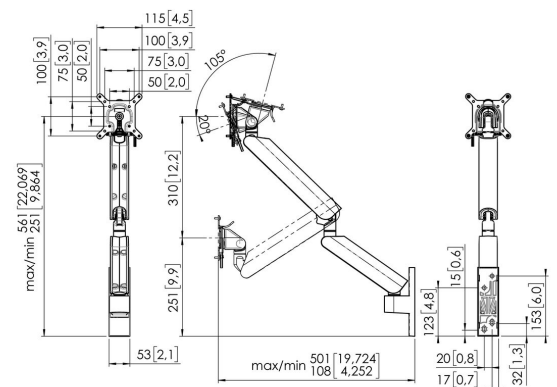


MOMO 4136 Monitor Arm Motion Plus for wall mounting (black)

Key Benefits

- Height Adjustable
- Suitable for one, two or a whole series of monitors
- Easy to assemble without tools
- Flexible modular system
- TÜV certified / 10-year guarantee

The ergonomic monitor arm for every workplace The MOMO 4136 is a dynamic monitor arm specially designed for wall-mounted monitors. The monitor arm can bear screens up to 43 inches weighing up to 10 kg.





MOMO 4136 Monitor Arm Motion Plus for wall mounting (black)

Specifications

Min. screen size (inch)	10
Max. screen size (inch)	43
Max. screen size (inch)	43
Universal or fixed hole pattern	Fixed
Max. height of interface (mm)	115
Max. width of interface (mm)	115
Max. weight load (kg)	10
Max. weight load (Lbs)	22.05
Turn	Up to 180°
Number of pivot points	3
Rotate	Up to 180°
Rotation stop	True
Tilt	Tilt -20°/+55°
Height adjustment	Mechanical spring, OneFingerMovement
Adjustable depth	Yes
Adjustable height	Yes
Mounting Possibilities	On the wall
Article number (SKU)	7141360
EAN single box	8712285353505
Colour	Black
Certifications	IGR TÜV
TÜV certified	Yes
Guarantee	10 years

VOGEL'S HOLDING BV (©)

All rights reserved.
Subject to printing errors,
technical and price
amendments.

Date: 2024-09-26

