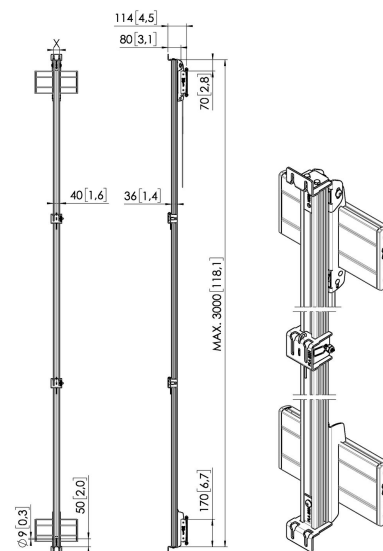




PLA 8110 LED Mounting Bolts M10, 4 pcs

The PLA 8110 LED mounting bolts, in size m10, will be supplied per 4 pcs and can be used in order to install the LED tiles on the LED interfaces (PLA 82xx and PLA 83xx). On the bottom row of the video wall you will need 4 bolts per LED tile. On each rows above you will need 2 bolts per LED tile.





PLA 8110 LED Mounting Bolts M10, 4 pcs

Specifications

| | |
|----------------------|-----------------|
| Article number (SKU) | 7181104 |
| Colour | Stainless Steel |
| EAN single box | 8712285339042 |
| TÜV certified | Yes |
| Guarantee | 5 years |

VOGEL'S HOLDING BV (©)

All rights reserved.
Subject to printing errors,
technical and price
amendments.

Date: 2023-01-15

