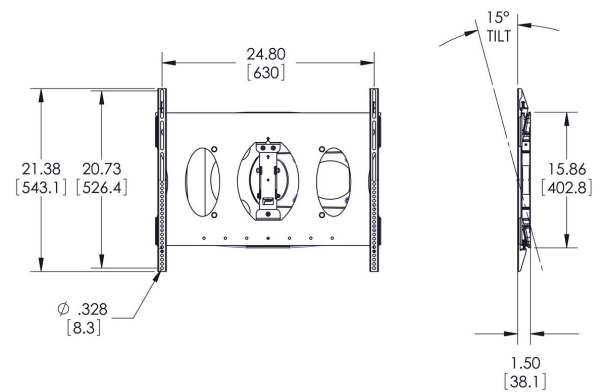
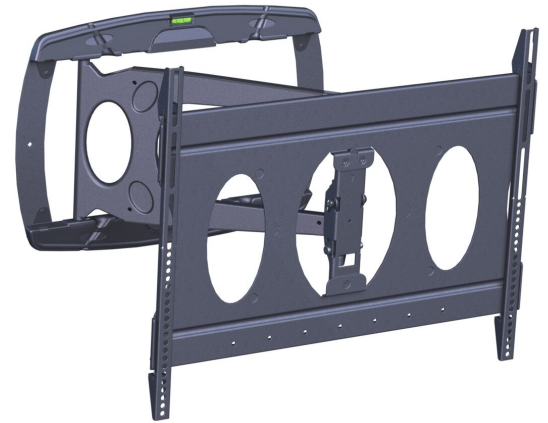




## PFW 6850 Display Wall Mount turn & tilt

The PFW 6850 is an ultra slim wall mount for displays up to 30kg / 66 lbs. that provides two options for the swing arm placement, allowing the mount to swing out from the left or right, based on the installation requirements.





## PFW 6850 Display Wall Mount turn & tilt

# Specifications

Min. screen size (inch)	42
Min. screen size (inch)	42
Max. screen size (inch)	65
Max. screen size (inch)	65
Min. hole pattern	100mm x 100mm
Max. hole pattern	630mm x 526mm
Max. horizontal hole pattern (mm)	630
Max. vertical hole pattern (mm)	526
Universal or fixed hole pattern	Universal
Max. height of interface (mm)	543
Max. width of interface (mm)	668
Max. weight load (kg)	30
Max. weight load (Lbs)	66.14
Turn	Up to 180°
Number of pivot points	3
Tilt	Tilt up to 15°
Orientation	Landscape
Levelling function	Post-installation horizontal levelling
Lock options	No lock
Article number (SKU)	7368500
EAN single box	8712285323362
Colour	Black
Certifications	TAA
TÜV certified	Yes
Guarantee	5 years

VOGEL'S HOLDING BV (©)

All rights reserved.  
Subject to printing errors,  
technical and price  
amendments.

Date: 2024-08-19



**Vogel's.** For Sure.