

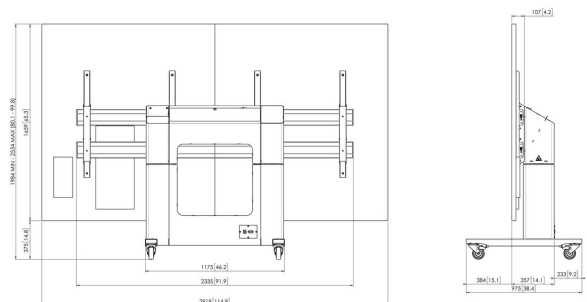


## TLWE78301 motorized trolley for Optoma Quad 130 inch LED wall

### Key Benefits

- Easy install
- TÜV and CE certified
- Mobile and/or stand alone
- Lockable storage space for PC/AV equipment
- Maximum load weight: 225 kg

The TLWE78301 is a composite kit, consisting of a motorized trolley and an LED wall interface. This kit is specially designed for the secure attachment of the Optoma Quad 130 inch. The trolley is adjustable in height up to 50 cm and is also TÜV and CE certified.





## TLWE78301 motorized trolley for Optoma Quad 130 inch LED wall



### Specifications

Article number (SKU)	7951320
Colour	Black
EAN single box	8712285352409
TÜV certified	Yes
Guarantee	5 years
Max. weight load (kg)	225
Certifications	CE
Max. distance to floor - center display (mm)	1575
Min. distance to floor - center display (mm)	1075
Motorized	True
Travel	500

VOGEL'S HOLDING BV (c)

All rights reserved.  
Subject to printing errors,  
technical and price  
amendments.

Date: 2021-12-07



**Vogel's. For Sure.**