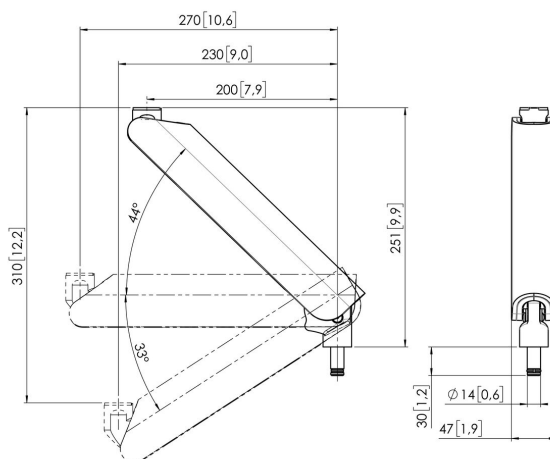


MOMO C327B Monitor Arm Plus 27 cm

Største fordele

Build your ideal monitor arm The MOMO C327 Monitor Arm Motion+ Component, dynamic, 27 cm, is part of MOMO Motion+. Specially designed for mounting the monitor arm or interface together. Endless possibilities Create a multi-monitor set-up with just a few components. Including both straight and angled positions. MOMO monitor arm accessories and components are installed using just one allen (hex) key, cleverly integrated into the product. So you'll always have the right tool at hand.





MOMO C327B Monitor Arm Plus 27 cm



Specifikationer

Maks. vægtbelastning (kg)	10
Maks. vægtbelastning (Lbs)	22.05
Bredde	47
Varenummer	7163270
EAN enkelt pakke	8712285354380
Farve	Sort
Certificeringer	TÜV
TÜV-certificeret	Ja
Garanti	10 år

VOGEL'S HOLDING BV (©)

All rights reserved.
Subject to printing errors,
technical and price
amendments.

Date: 2025-05-28



Vogel's. For Sure.