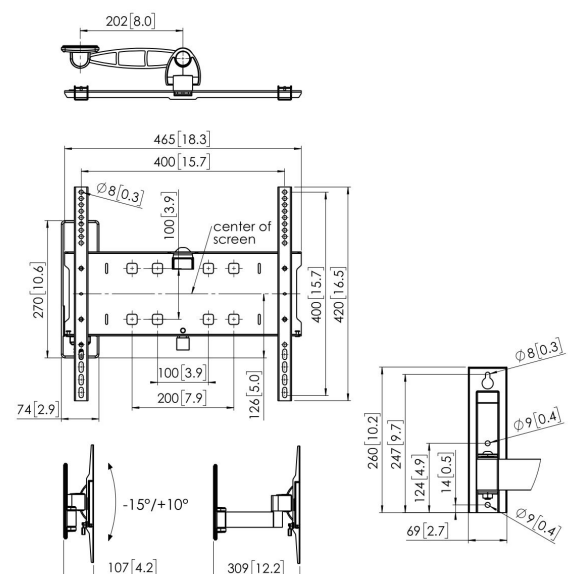




PFW 3030 Display Wall Mount turn & tilt

The safe and elegant PFW 3000 Series is designed with hospitality content in mind.





PFW 3030 Display Wall Mount turn & tilt



Specifications

| | |
|-----------------------------------|--|
| Article number (SKU) | 7330300 |
| Colour | Black |
| EAN single box | 8712285335167 |
| Product size | M |
| TÜV certified | Yes |
| Tilt | Tilt -15°/+10° |
| Turn | Up to 120° |
| Guarantee | 5 years |
| Min. screen size (inch) | 39 |
| Max. screen size (inch) | 55 |
| Max. weight load (kg) | 35 |
| Min. hole pattern | 100mm x 100mm |
| Max. hole pattern | 400mm x 400mm |
| Max. bolt size | M8 |
| Max. height of interface (mm) | 420 |
| Max. width of interface (mm) | 465 |
| Fischer inside | Yes |
| Levelling function | Post-installation horizontal levelling |
| Lockable | True |
| Lock options | Lock included / integrated |
| Max. distance to the wall (mm) | 309 |
| Max. horizontal hole pattern (mm) | 400 |
| Max. screen size (inch) | 55 |
| Max. vertical hole pattern (mm) | 400 |
| Min. distance to the wall (mm) | 107 |
| Min. horizontal hole pattern (mm) | 100 |
| Min. screen size (inch) | 39 |
| Min. vertical hole pattern (mm) | 100 |
| Number of pivot points | 2 |
| Universal or fixed hole pattern | Universal |

VOGEL'S HOLDING BV (©)

All rights reserved.
Subject to printing errors,
technical and price
amendments.

Date: 2022-06-02



Vogel's. For Sure.