

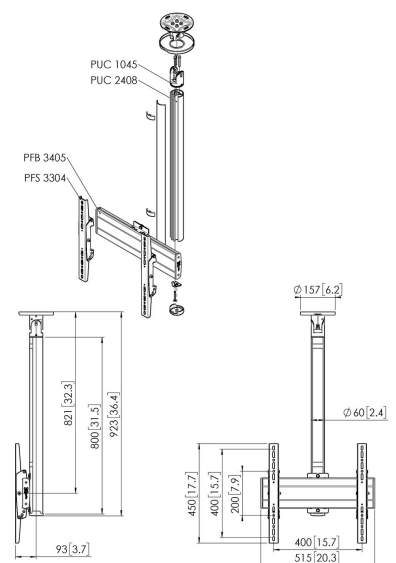
## CT240844S Display Ceiling Mount 360° turn (silver)

### Key Benefits

- Stylish high-end design
- Easy install
- Rotatable

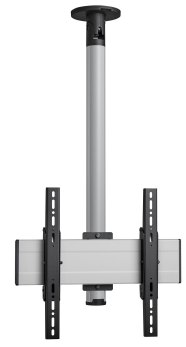
### Ceiling mount kit CT240844

Display size: Fitment: 400x400Max. load: 40 kg - 88 lbs Kit consists of: • 1x PUC 1045 Ceiling plate turn and tilt • 1x PUC 2408 Pole 80 cm • 1x PFB 3405 Interface bar • 1x PFS 3304 Interface display strips





## CT240844S Display Ceiling Mount 360° turn (silver)



### Specifications

Article number (SKU)	7955104
Colour	Silver
EAN single box	8712285347184
Length	923
Width	515
Depth	172
TÜV certified	Yes
Tilt	Tilt up to 20°
Turn	Up to 360°
Guarantee	5 years
Max. weight load (kg/Lbs)	40 / 88.18
Min. hole pattern	100mm x 100mm
Max. hole pattern	400mm x 400mm
Max. bolt size	M8
Max. height of interface (mm)	450
Max. width of interface (mm)	515
Ceiling types	Flat / inclined ceiling
Height options	Fixed height
Max. distance to ceiling - center display (mm)	821
Max. horizontal hole pattern (mm)	400
Max. screen size (inch)	65
Max. vertical hole pattern (mm)	400
Min. horizontal hole pattern (mm)	100
Min. screen size (inch)	32
Min. vertical hole pattern (mm)	100
Orientation	Landscape / Portrait
Universal or fixed hole pattern	Universal

VOGEL'S HOLDING BV (©)

All rights reserved.  
Subject to printing errors,  
technical and price  
amendments.

Date: 2023-01-26



**Vogel's.** For Sure.