

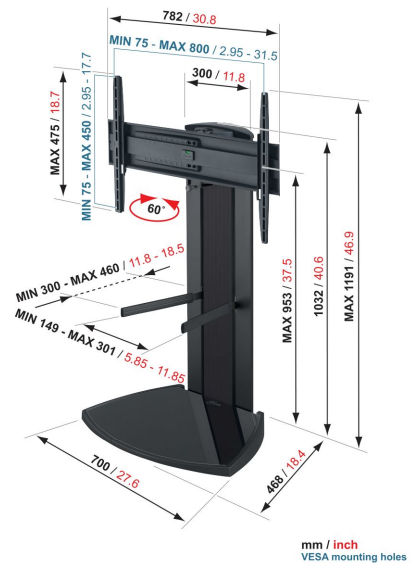


EFF 8340 TV Floor Stand (white)

Key Benefits

- AV support included - support adjustable in height, width and depth.
- Easily hide and guide cables at any height
- Integrated storage
- Lock your TV securely in place
- Smoothly turn your TV up to 60°

Looking for an all-in-one solution that lets you place your TV anywhere you like in the room? Vogel's floor stand EFF 8340 is suitable for TVs from 40 up to 65 inch and holds your TV, AV equipment and even hides your cables.





EFF 8340 TV Floor Stand (white)



Specifications

Article number (SKU)	8383401
Colour	White
EAN single box	8712285316425
Product size	L
TÜV certified	Yes
Turn	Limited motion (up to 60°)
Guarantee	Lifetime
Min. screen size (inch)	40
Max. screen size (inch)	65
Max. weight load (kg/Lbs)	45 / 99.21
Min. hole pattern	100mm x 100mm
Max. hole pattern	400mm x 400mm
Max. bolt size	M8
Max. height of interface (mm)	475
Max. width of interface (mm)	830
Certifications	TÜV
Universal or fixed hole pattern	Universal
Awards	Good Industrial Design Award
Max. thickness desk	Good Industrial Design Award

VOGEL'S HOLDING BV (©)

All rights reserved.
Subject to printing errors,
technical and price
amendments.

Date: 2023-01-13



Vogel's. For Sure.