



## WALL 3450 Full-Motion TV Wall Mount

Article number (SKU)  
Colour

8354140  
Black

### Key Benefits

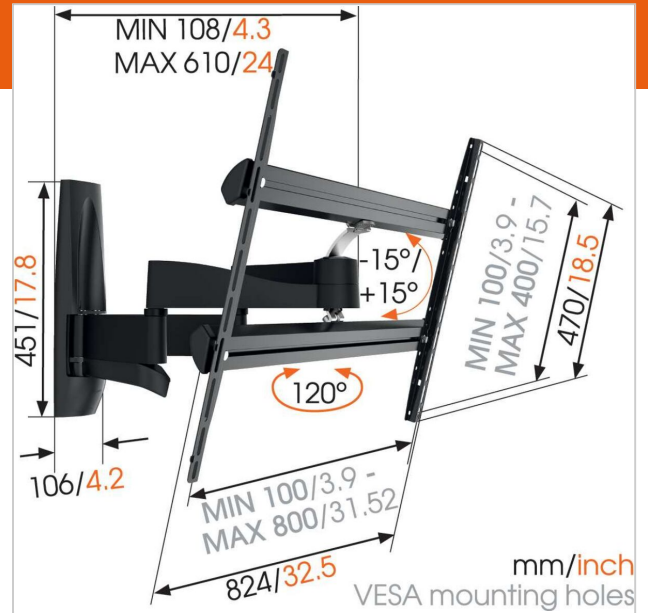
- Also suitable for a tv in a cabinet or niche
- Hide all unsightly cables
- Ultra strong - built for heavy TVs
- Use the app and mark the first drilling hole easily!
- Easy installation: drilling template included

### Full motion TV wall mount with double support arms for TVs up to max. 55 kg

The WALL 3450 is designed especially for extra-large and heavy TVs. A solid mount for TVs from 55" to 100" (140-254 cm). The maximum turning angle is 120° and the max. tilting angle is 15°. For TVs up to 55 kg.

### Sturdy construction thanks to double support arms, also for large and heavy TVs

The unique construction with two support arms ensures a stable and powerful weight capacity.



# WALL 3450 Full-Motion TV Wall Mount



VOGEL'S HOLDING BV 2019 (c) All rights reserved.  
Subject to printing errors, technical and price amendments.  
Date: 2021-01-14

[www.vogels.com](http://www.vogels.com)

## Specifications

Product type number	WALL 3450	Number of pivot points	4
Article number (SKU)	8354140	Universal or fixed hole pattern	Universal
Colour	Black	What's in the box	<ul style="list-style-type: none"> <li>• Allen key</li> <li>• Mounting instructions</li> <li>• TV Mount Guide app</li> <li>• TV mounting kit</li> <li>• Wall mount</li> <li>• Wall mounting kit</li> <li>• Drilling template</li> </ul>
EAN single box	8712285335600		
Product size	XL		
TÜV certified	Yes		
Tilt	Tilt up to 15°		
Turn	Forward and turning motion (up to 120°)		
Guarantee	Lifetime		
Min. screen size (inch)	55		
Max. screen size (inch)	100		
Max. weight load (kg)	55		
Min. hole pattern	100mm x 100mm		
Max. hole pattern	800mm x 400mm		
Max. bolt size	M8		
Max. height of interface (mm)	470		
Max. width of interface (mm)	824		
Cable management	Cable clip Cable management integrated in arm		
Max. distance to the wall (mm)	610		
Max. horizontal hole pattern (mm)	800		
Max. vertical hole pattern (mm)	400		
Min. distance to the wall (mm)	108		

