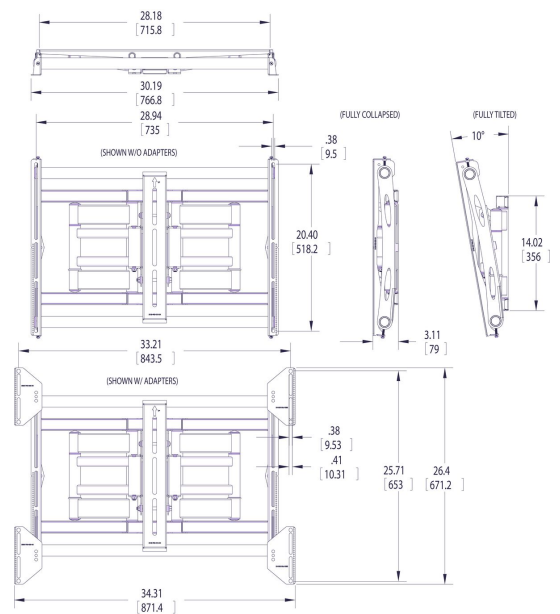
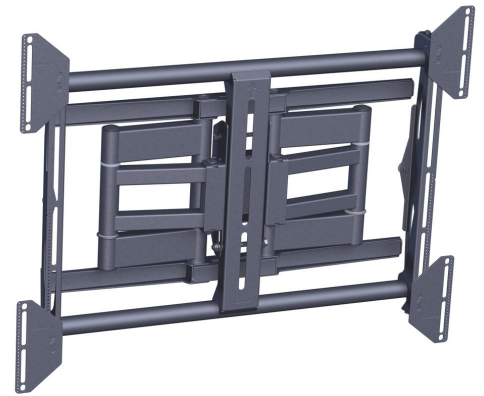
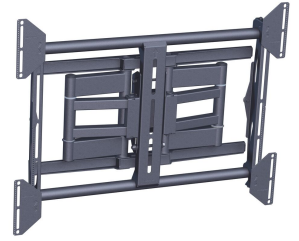




## PFW 6851 Display Wall Mount

The PFW 6851 is a swingout mount for displays up to 80 kg / 175 lbs. Typically fits displays ranging from 42 - 85 inch or displays with a mounting pattern of 200 x 200 mm to 800 x 600 mm.





## PFW 6851 Display Wall Mount

# Specifications

Min. screen size (inch)	42
Min. screen size (inch)	42
Max. screen size (inch)	85
Max. screen size (inch)	85
Max. horizontal hole pattern (mm)	800
Max. vertical hole pattern (mm)	600
Max. height of interface (mm)	671
Max. width of interface (mm)	871
Max. weight load (kg)	80
Max. weight load (Lbs)	176.37
Turn	Up to 90°
Number of pivot points	3
Tilt	Tilt up to 10°
Orientation	Landscape
Levelling function	Post-installation horizontal levelling
Lock options	No lock
Article number (SKU)	7368510
EAN single box	8712285323386
Colour	Black
Certifications	TÜV
TÜV certified	Yes
Guarantee	5 years

VOGEL'S HOLDING BV (©)

All rights reserved.  
Subject to printing errors,  
technical and price  
amendments.

Date: 2024-12-06

