

## PPC 1555 Projector ceiling mount white

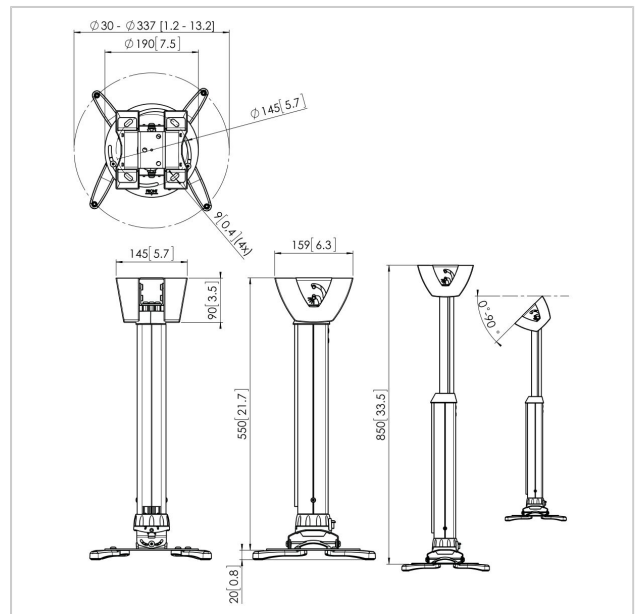
Article number (SKU)  
Colour

7015551  
White

### Key Benefits

- Cables fully concealed
- Fine tuning during installation
- Fine tuning possible after installation
- Theft prevention

The PPC 1555 projector mount is specially designed for the latest generation of projectors weighing up to 15 kg. This projector interface is equipped with fine tune adjustability for precise alignment with the projection surface. Once aligned, the projector stays in position. Turning the unique friction ring will eliminate all play from the interface connections, making the mount a solid and very stable solution.





## PPC 1555 Projector ceiling mount white

[www.vogels.com](http://www.vogels.com)

VOGEL'S HOLDING BV 2019 (c) All rights reserved.  
Subject to printing errors, technical and price amendments.  
Date: 2019-05-17

## Specifications

Product type number	PPC 1555
Article number (SKU)	7015551
Colour	White
EAN single box	8712285325182
TÜV certified	Yes
Tilt	Tilt up to 15°
Turn	Up to 360°
Guarantee	5 years
Max. weight load (kg)	20
Fischer inside	Yes
Max. distance to ceiling (mm)	850
Min. distance to ceiling (mm)	550
Range (diameter)	30 - 337 mm
Roll	15

