



## WE5064 Display wall mount motorized

Article number (SKU)  
Colour

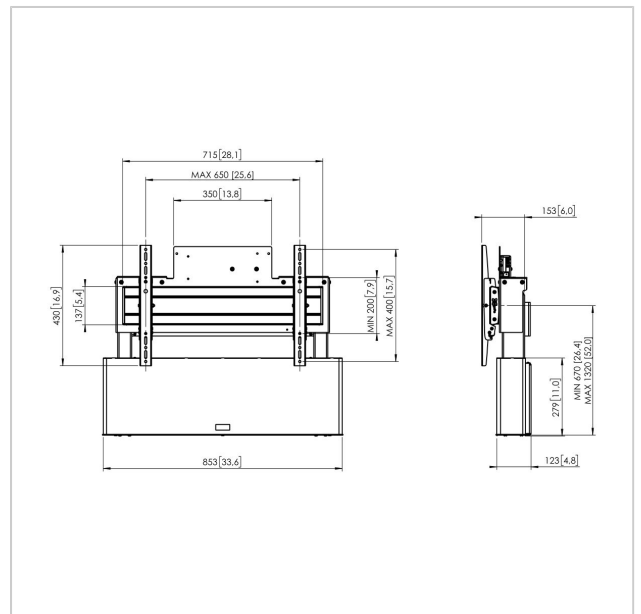
7950644  
Silver

### Key Benefits

- Easy install
- Adjustable in height up to 65 cm

### Motorized wall mount kit WE5064

Display size: Fitment: 600x400 Max load: 160 kg / 353 lbs Kit consists of: • 1x PFWE 7150 Display wall mount motorized • 1x PFB 3407 Display interface bar • 1x PFS 3204 Bandes interface écran





## WE5064 Display wall mount motorized

[www.vogels.com](http://www.vogels.com)

VOGEL'S HOLDING BV 2019 (c) All rights reserved.  
Subject to printing errors, technical and price amendments.  
Date:2020-08-26

## Specifications

Product type number	WE5064
Article number (SKU)	7950644
Colour	Silver
EAN single box	8712285339769
Width	853
Guarantee	5 years
Min. screen size (inch)	42
Max. screen size (inch)	86
Max. weight load (kg)	160
Certifications	CE
Max. distance to floor - center display (mm)	1320
Max. horizontal hole pattern (mm)	600
Max. vertical hole pattern (mm)	400
Min. distance to floor - center display (mm)	670
Min. horizontal hole pattern (mm)	100
Min. vertical hole pattern (mm)	100
Motorized	True
Remote controlled	Yes
Travel	650