

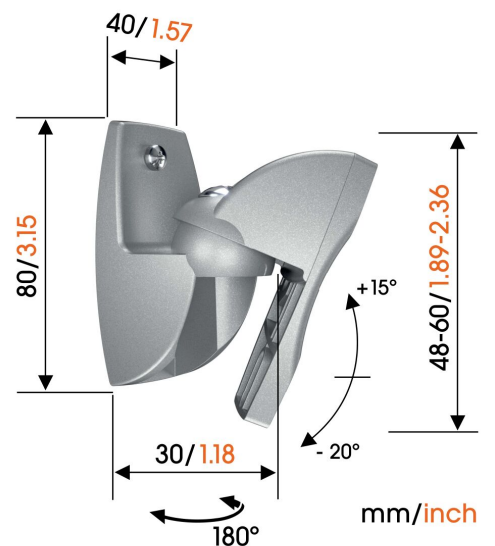


VLB 500 Speaker Wall Mounts (silver, 2x)

Key Benefits

- For surround speakers and smaller hi-fi speakers
- Create the best listening position

The VLB 500 loudspeaker wall mount is for surround and hi-fi speakers weighing up to 5kg/11 lbs.





VLB 500 Speaker Wall Mounts (silver, 2x)



Specifications

Max. weight load (kg)	5
Max. weight load (Lbs)	11.02
Turn	Up to 180°
Tilt	Tilt up to 20°
Speaker models	Universal
Article number (SKU)	8155004
EAN single box	8712285350764
Colour	Silver
TÜV certified	No
Guarantee	5 years

VOGEL'S HOLDING BV (©)

All rights reserved.
Subject to printing errors,
technical and price
amendments.

Date: 2024-09-10