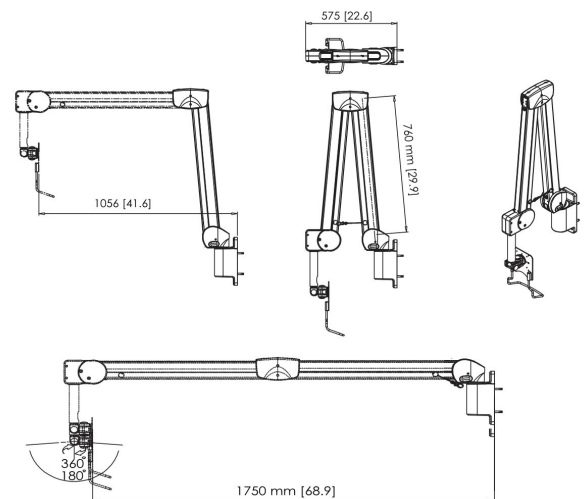
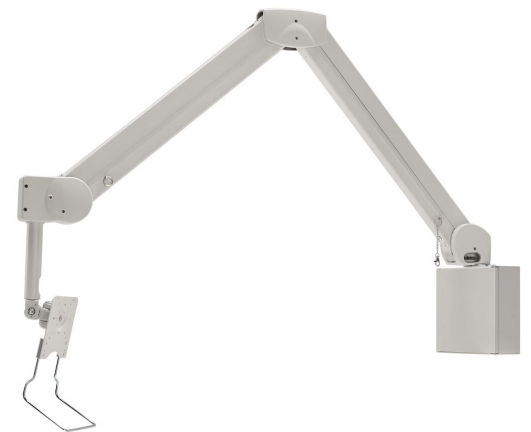




PMW 7038 Medical wall mount

With this medical mount you will be able to mount a display to the wall in order to give the patient the best possible AV experience.



PMW 7038 Medical wall mount



Specifications

Article number (SKU)	7370381
Colour	White
EAN single box	8712285334801
TÜV certified	Yes
Tilt	Tilt up to 90°
Turn	Up to 360°
Guarantee	2 years
Min. screen size (inch)	10
Max. screen size (inch)	29
Max. weight load (kg/Lbs)	8 / 17.64
Max. bolt size	M4
Max. height of interface (mm)	160
Max. width of interface (mm)	150
Cable management	Cable management integrated in arm
Max. distance to the wall (mm / inch)	1750 / 68.90
Max. horizontal hole pattern (mm)	100
Max. screen size (inch)	29
Max. vertical hole pattern (mm)	100
Min. distance to the wall (mm / inch)	575 / 22.64
Min. horizontal hole pattern (mm)	75
Min. vertical hole pattern (mm)	75
Min. weight load (kg)	3
Number of pivot points	4
Universal or fixed hole pattern	Fixed

VOGEL'S HOLDING BV (©)

All rights reserved.
Subject to printing errors,
technical and price
amendments.

Date: 2023-01-27

