

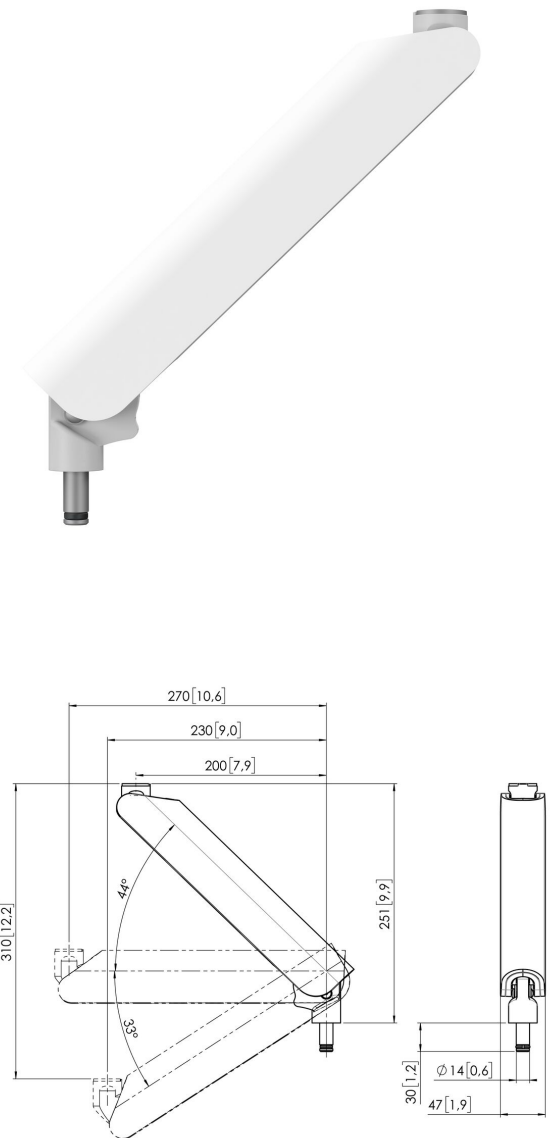


MOMO C327 Monitor Arm Motion Plus Component, dynamic, 27 cm (white)

Key Benefits

- Height Adjustable
- Suitable for one, two or a whole series of monitors
- Easy to assemble without tools
- Flexible modular system
- TÜV certified / 10-year guarantee

Build your ideal monitor arm. The MOMO C327 Monitor Arm Motion+ Component, dynamic, 27 cm, is part of MOMO Motion+. Specially designed for mounting the monitor arm or interface together. Endless possibilities. Create a multi-monitor set-up with just a few components. Including both straight and angled positions. MOMO monitor arm accessories and components are installed using just one allen (hex) key, cleverly integrated into the product. So you'll always have the right tool at hand.





MOMO C327 Monitor Arm Motion Plus Component, dynamic, 27 cm (white)



Specifications

Article number (SKU)	7163271
Colour	White
EAN single box	8712285354403
Width	47
TÜV certified	Yes
Guarantee	10 years

VOGEL'S HOLDING BV (©)

All rights reserved.
Subject to printing errors,
technical and price
amendments.

Date: 2023-06-16



Vogel's. For Sure.