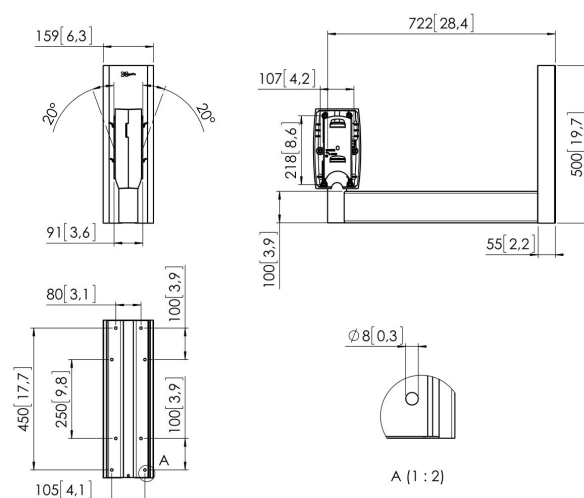
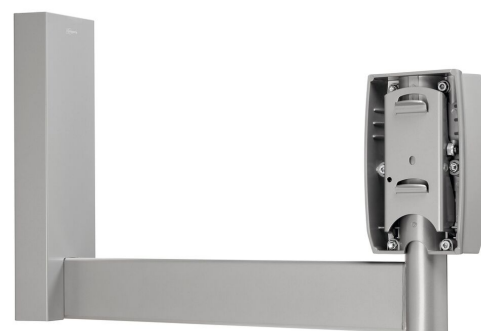


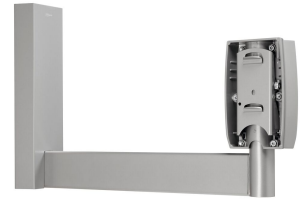
PFW 952 Display wall mount right-angled back-to-back

The PFW 952 right-angled flat display wall mount back-to-back features a wall mounting plate with a 72 cm arm and turn and tilt unit. NOT including 2 interfaces FAU 3150 or FAU 3125. Suitable for displays up to 42".





PFW 952 Display wall mount right-angled back-to-back



Specifications

Article number (SKU)	7319524
Colour	Silver
EAN single box	8712285305245
TÜV certified	Yes
Tilt	Tilt up to 20°
Turn	Up to 180°
Guarantee	5 years
Max. weight load (kg/Lbs)	60 / 132.28
Fischer inside	Yes
Max. screen size (inch)	42
Min. screen size (inch)	23
Number of pivot points	1

VOGEL'S HOLDING BV (©)

All rights reserved.
Subject to printing errors,
technical and price
amendments.

Date: 2023-01-26



Vogel's. For Sure.