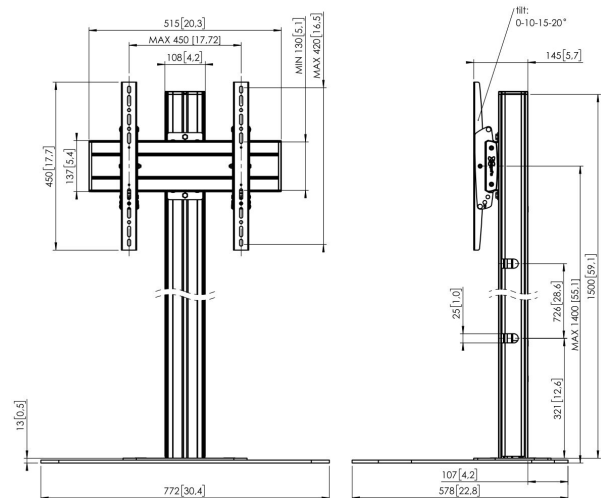
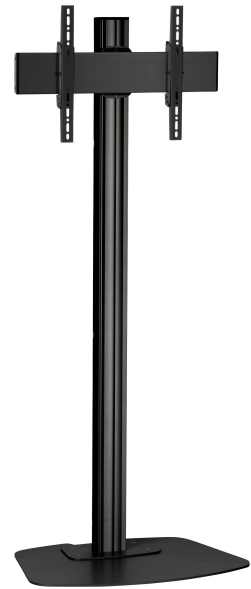




## F1544B Display Floor Stand (black)

### Floor Stand kit F1544

Display size: Fitment: 400x400 Max load: 80 kg / 176 lbs Kit consists of: • 1x PFF 7020 Floor plate • 1x PUC 2715 Pole 150 cm • 1x PFB 3405 Interface bar • 1x PFS 3304 Interface display strip





## F1544B Display Floor Stand (black)



# Specifications

Article number (SKU)	7951010
Colour	Black
EAN single box	8712285332500
Height	1500
Width	772
Depth	578
TÜV certified	Yes
Tilt	Tilt up to 20°
Guarantee	5 years
Max. weight load (kg/Lbs)	80 / 176.37
Min. hole pattern	100mm x 100mm
Max. hole pattern	450mm x 420mm
Max. bolt size	M8
Max. height of interface (mm)	450
Max. width of interface (mm)	515
Max. distance to floor - center display (mm)	1400
Max. horizontal hole pattern (mm)	450
Max. screen size (inch)	65
Max. vertical hole pattern (mm)	420
Min. horizontal hole pattern (mm)	100
Min. vertical hole pattern (mm)	100
Universal or fixed hole pattern	Universal

VOGEL'S HOLDING BV (©)

All rights reserved.  
Subject to printing errors,  
technical and price  
amendments.

Date: 2023-01-26



**Vogel's.** For Sure.