

Product data sheet

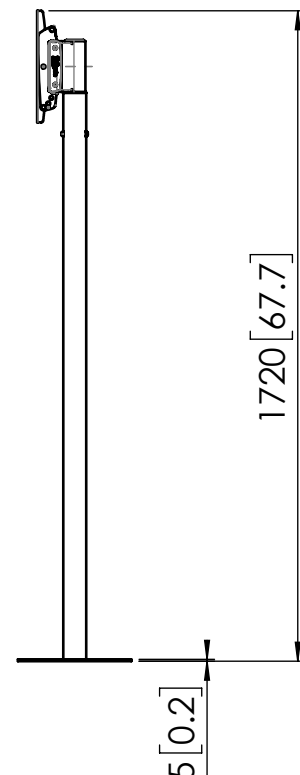
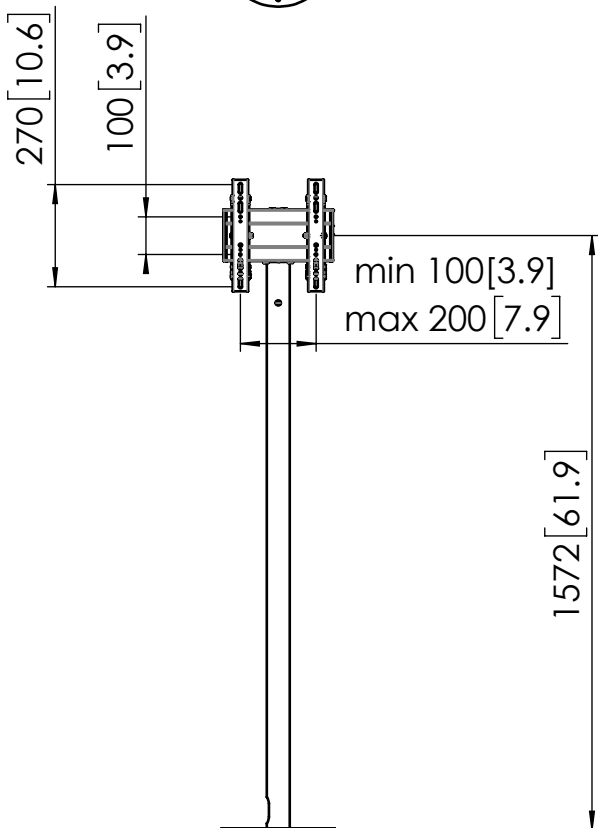
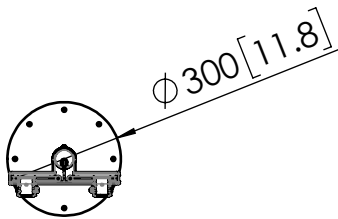
PRODUCT DATA SHEET FM1622RVS

Dimensions in mm [inch]

Max weight: 0° tilt = 40 kg [88.2 lbs]
20° tilt = 35 kg [77.2 lbs]

Screen mounting kit:

- 4 x Hexagon bolt M4 x 20
- 4 x Hexagon bolt M5 x 20
- 4 x Hexagon bolt M6 x 20
- 4 x Hexagon bolt M8 x 12
- 4 x Hexagon bolt M8 x 20
- 4 x Hexagon bolt M8 x 35
- 8 x Ring M5
- 8 x Washer M6
- 4 x Washer M8
- 4 x Washer M8 21 x 4



Note: This document and specifications herein are confidential and the exclusive property of Vogel's Products b.v. Neither this design nor any information contained in this drawing may be reproduced or disclosed to others without written consent of Vogel's Products b.v. The design and information will not be reproduced, copied or used, either in part or in its entirety, as the basis for the manufacture or sale of items without written permission.
Warning: Please study all instructions and illustrations carefully before installation.
Information in this document is subject to change without further notice.

T474974 00
Product data sheet
30-04-21