



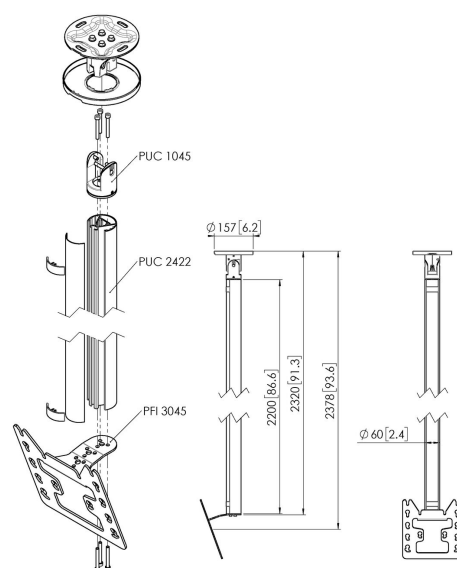
CT24222B Display Ceiling Mount

Key Benefits

- Stylish high-end design
- Easy install
- Rotatable

Ceiling mount kit CT242222

Display size: Fitment: 200x200Max. load: 30 kg - 66 lbs Kit consists of: • 1x PUC 1045 Ceiling plate turn and tilt • 1x PUC 2422 Pole 220 cm • 1x PFI 3045 Display interface





CT242222B Display Ceiling Mount



Specifications

Min. screen size (inch)	19
Max. screen size (inch)	43
Min. horizontal hole pattern (mm)	100
Max. horizontal hole pattern (mm)	200
Min. vertical hole pattern (mm)	100
Max. vertical hole pattern (mm)	200
Universal or fixed hole pattern	Fixed
Max. height of interface (mm)	253
Max. width of interface (mm)	240
Max. distance to ceiling - center display (mm)	2378
Max. weight load (kg)	30
Max. weight load (Lbs)	66.14
Ceiling types	Flat / inclined ceiling
Turn	Up to 360°
Tilt	Tilt up to 20°
Orientation	Landscape / Portrait
Height options	Fixed height
Levelling function	Post-installation horizontal levelling
Length	2320
Width	130
Depth	450
Article number (SKU)	7955070
EAN single box	8712285347085
Colour	Black
Certifications	TÜV
TÜV certified	Yes
Guarantee	5 years

VOGEL'S HOLDING BV (©)

All rights reserved.
Subject to printing errors,
technical and price
amendments.

Date: 2024-11-12



Vogel's. For Sure.