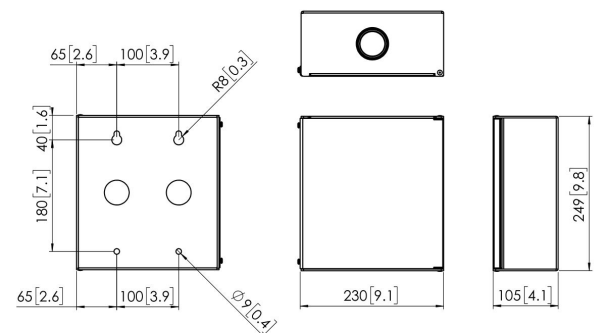




PMA 7901 Medical wall box

The wall box can be used to hide cables (over length) and store power sockets.





PMA 7901 Medical wall box



Specifications

Article number (SKU)	7379011
Colour	White
EAN single box	8712285334825
Height	249
Width	230
Depth	105
Guarantee	5 years

VOGEL'S HOLDING BV (©)

All rights reserved.
Subject to printing errors,
technical and price
amendments.

Date: 2023-01-26