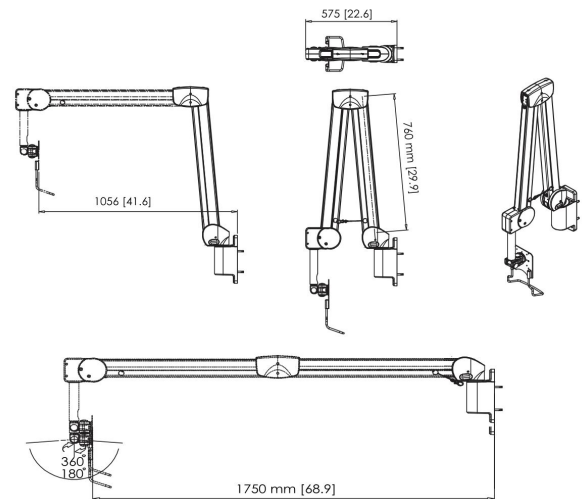




## PMW 7014 Medical wall mount

With this medical mount you will be able to mount a display to the wall in order to give the patient the best possible AV experience.





## PMW 7014 Medical wall mount

# Specifications

Article number (SKU)	7370141
Colour	White
EAN single box	8712285334788
TÜV certified	Yes
Tilt	Tilt up to 90°
Turn	Up to 360°
Guarantee	2 years
Min. screen size (inch)	10
Max. screen size (inch)	29
Max. weight load (kg/Lbs)	4 / 8.82
Max. bolt size	M4
Max. height of interface (mm)	160
Max. width of interface (mm)	150
Cable management	Cable management integrated in arm
Max. distance to the wall (mm / inch)	1750 / 68.90
Max. horizontal hole pattern (mm)	100
Max. screen size (inch)	29
Max. vertical hole pattern (mm)	100
Min. distance to the wall (mm / inch)	575 / 22.64
Min. horizontal hole pattern (mm)	75
Min. vertical hole pattern (mm)	75
Min. weight load (kg)	1
Number of pivot points	4
Universal or fixed hole pattern	Fixed

VOGEL'S HOLDING BV (©)

All rights reserved.  
Subject to printing errors,  
technical and price  
amendments.

Date: 2023-01-27

