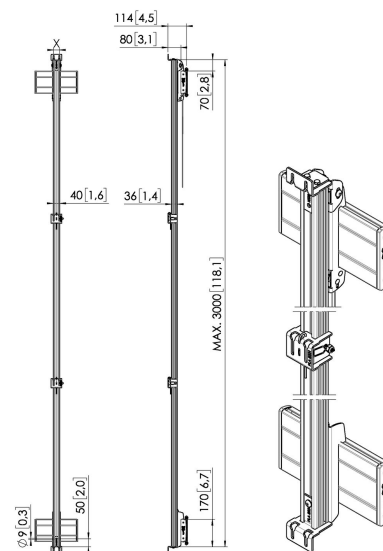




## PLA 8106 LED Mounting Bolts M6, 4 pcs

The PLA 8106 LED mounting bolts, in size m6, will be supplied per 4 pcs and can be used in order to install the LED tiles on the LED interfaces (PLA 82xx and PLA 83xx). On the bottom row of the video wall you will need 4 bolts per LED tile. On each rows above you will need 2 bolts per LED tile.





## PLA 8106 LED Mounting Bolts M6, 4 pcs

### Specifications

Article number (SKU)	7181064
Colour	Stainless Steel
EAN single box	8712285339004
TÜV certified	Yes
Guarantee	5 years

VOGEL'S HOLDING BV (©)

All rights reserved.  
Subject to printing errors,  
technical and price  
amendments.

Date: 2023-01-15

