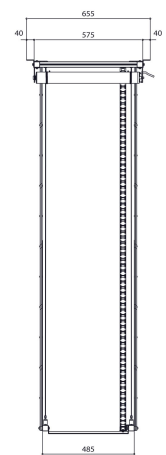
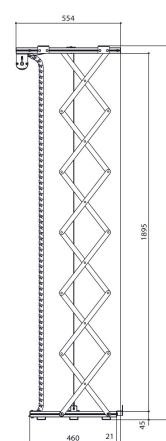
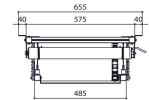
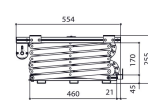
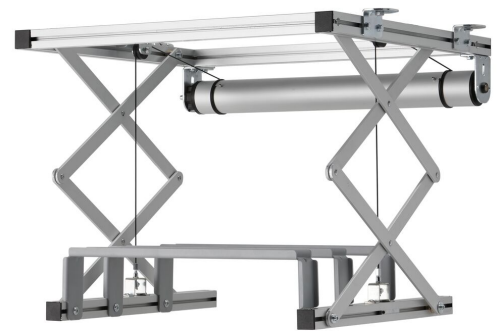
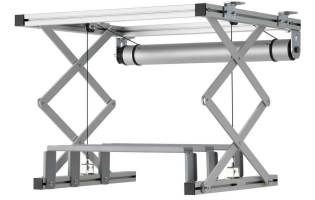




PPL 2170 Projector Lift System

The PPL 2170 projector lift system is the perfect solution for the integration of a large and heavy projector into a ceiling where an aesthetical solution is required. Not only is the projector neatly hidden, it is also theft delaying. The lifts runs silently and offers two adjustable positions: top and show.





PPL 2170 Projector Lift System

Specifications

Article number (SKU)	7021704
Colour	Silver
EAN single box	8712285338427
Width	575
Depth	554
TÜV certified	Yes
Guarantee	2 years
Guarantee electrical parts	2 years
Max. weight load (kg/Lbs)	30 / 66.14
Average power consumption (W)	184
Certifications	CE
Max. distance to ceiling (mm)	1979
Min. distance to ceiling (mm)	255
Voltage	220 V, 50 Hz 230 V, 50 Hz

VOGEL'S HOLDING BV (©)

All rights reserved.
Subject to printing errors,
technical and price
amendments.

Date: 2023-01-25



Vogel's. For Sure.