

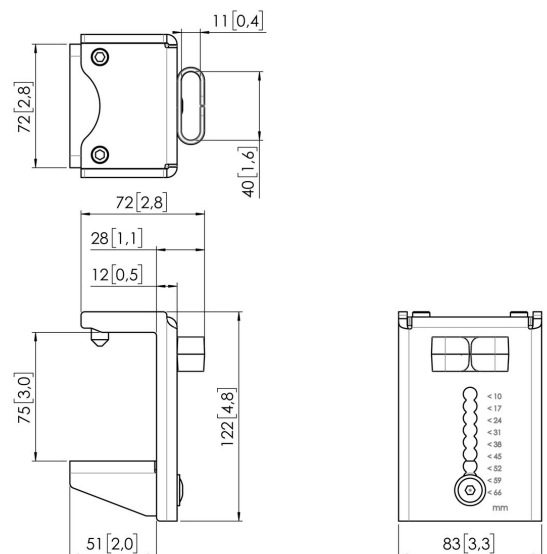


## MOMO C103 Desk Clamp Component for Motion and Motion Plus (black)

### Key Benefits

- Height Adjustable
- Suitable for one, two or a whole series of monitors
- Easy install
- Flexible modular system
- TÜV certified / 10-year guarantee

Build your ideal monitor arm. The MOMO C103 Desk Clamp Component is part of MOMO Motion and Motion+. Specially designed for desk mounting. Endless possibilities. Create a multi-monitor set-up with just a few components. Including both straight and angled positions. MOMO monitor arm accessories and components are installed using just one allen (hex) key, cleverly integrated into the product. So you'll always have the right tool at hand.





# MOMO C103 Desk Clamp Component for Motion and Motion Plus (black)

## Specifications

Max. weight load (kg)	20
Max. weight load (Lbs)	44.09
Max. thickness desk	66
Height	122
Width	83
Depth	63
Article number (SKU)	7161030
EAN single box	8712285353987
Colour	Black
TÜV certified	Yes
Guarantee	10 years

VOGEL'S HOLDING BV (©)

All rights reserved.  
Subject to printing errors,  
technical and price  
amendments.

Date: 2024-01-03



**Vogel's.** For Sure.