

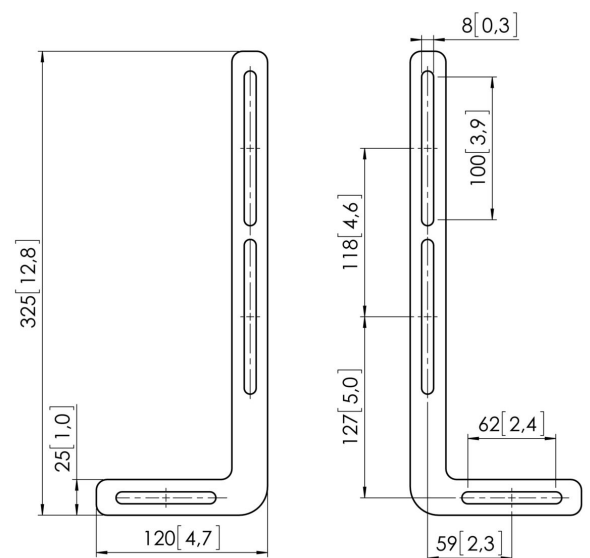
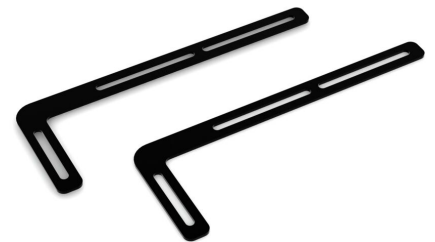


## SOUND 1250 Soundbar Mount

### Key Benefits

- Create the best listening position
- Enjoy sound that turns with your TV

Now you can easily mount a thin soundbar under your TV with the SOUND 1250 Sound Bar Mount. It's the perfect choice to improve your entertainment system. This sturdy Sound Bar Mount is designed to fit seamlessly with any Vogel's flat or swivel tv wall mount. That means that when you turn your TV, your soundbar turns too so that your picture and sound enhance each other.





## SOUND 1250 Soundbar Mount

# Specifications

Article number (SKU)	8151250
Colour	Black
EAN single box	8712285326462
TÜV certified	No
Guarantee	5 years
Max. weight load (kg/Lbs)	20 / 44.09
Adjustable height	False
Speaker models	Universal

VOGEL'S HOLDING BV (©)

All rights reserved.  
Subject to printing errors,  
technical and price  
amendments.

Date: 2023-01-13