



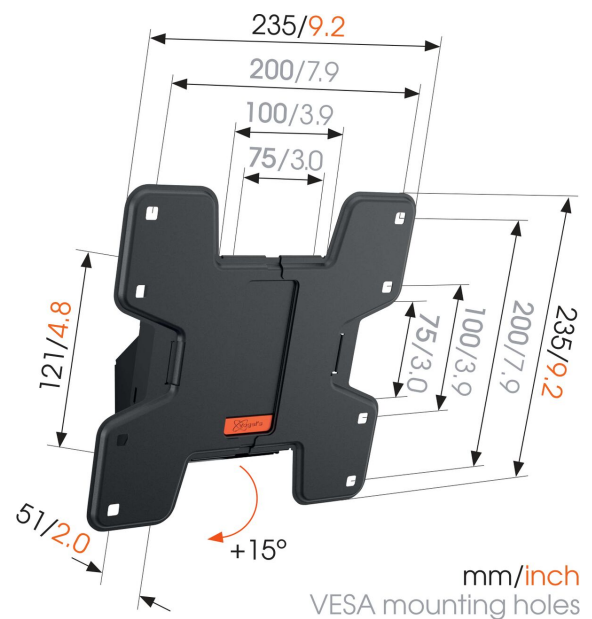
WALL 3115 Tilting TV Wall Mount

Key Benefits

- Also suited for wall-mounting your monitor
- Tilt (up to 15°) to avoid reflections
- Use the app and mark the first drilling hole easily!
- Simply Smart Value: Great comfort for an affordable price

TV bracket with tilting function for TVs up to 20 kg

The WALL 3115 tilting TV bracket has a maximum weight capacity of 20 kg. Almost any model of TV, from 19" to 43" (48-109 cm), can be mounted on the wall with the WALL 3115. The maximum tilt angle is 15° forwards.





WALL 3115 Tilting TV Wall Mount

Specifications

Article number (SKU)	8351110
Colour	Black
EAN single box	8712285335280
Product size	S
TÜV certified	Yes
Tilt	Tilt up to 15°
Guarantee	Lifetime
Min. screen size (inch)	19
Max. screen size (inch)	43
Max. weight load (kg/Lbs)	20 / 44.09
Max. bolt size	M8
Max. height of interface (mm)	235
Max. width of interface (mm)	235
Certifications	TÜV
Max. horizontal hole pattern (mm)	200
Max. vertical hole pattern (mm)	200
Min. distance to the wall (mm / inch)	51 / 2.01
Universal or fixed hole pattern	Fixed

VOGEL'S HOLDING BV (©)

All rights reserved.
Subject to printing errors,
technical and price
amendments.

Date: 2023-01-15



Vogel's. For Sure.