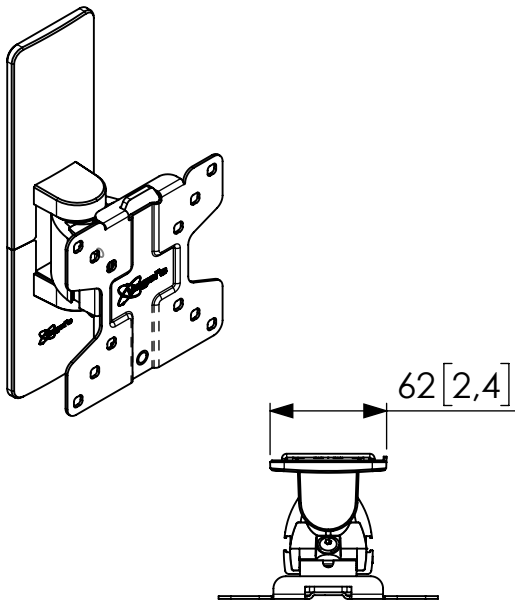


# Product data sheet

## PFW 1020

Dimensions in mm [inch]

Screen sizes: 10"-26"  
 Max weight: 16 kg



### Wall mounting kit:

Fischer plug SX 8x40 (3x)  
 Hexagon head screw 6 x 60 (3x)  
 Washer 6 x 18 x 1,6 (3x)

### Screen mounting kit:

Safety bolt M6 x 12 (4x)  
 Safety bolt M6 x 25 (4x)  
 Safety bolt M8 x 16 (4x)  
 Safety bolt M8 x 30 (4x)

