

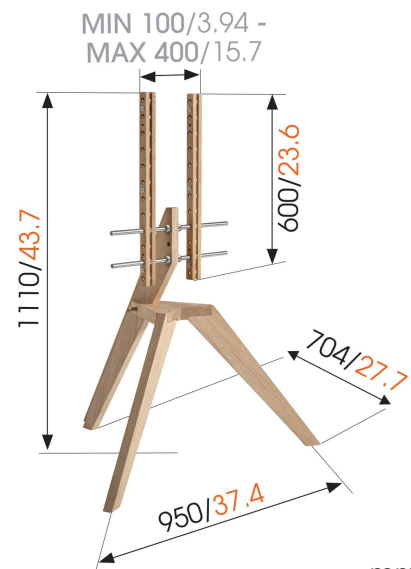
NEXT OP1 TV Floor Stand

Key Benefits

- Lock your TV securely in place
- Stylishly conceals all your cables

NEXT OP1: the TV floor stand becomes designer furniture

The NEXT OP1 is a modern, free-standing floor stand for your TV. Scandinavian design characterised by functional simplicity. This sleek, three-legged stand, made from light oak, fits well in any room. Stainless steel bars are attached to the wooden floor stand, resulting in a very solid construction. With the OPHANG accessory (available separately), you can attach a console or TV receiver to the rear of the TV with leather straps. The NEXT OP1 is suitable for TVs from 46" to 70" and up to 40 kg.



mm/inch
VESA mounting holes



NEXT OP1 TV Floor Stand

Specifications

Article number (SKU)	8743232
Colour	Light oak
EAN single box	8712285337543
Product size	L
Height	1110
Width	950
Depth	704
TÜV certified	Yes
Guarantee	2 years
Min. screen size (inch)	46
Max. screen size (inch)	70
Max. weight load (kg/Lbs)	40 / 88.18
Min. hole pattern	100mm x 100mm
Max. hole pattern	400mm x 400mm
Max. bolt size	M8
Max. height of interface (mm)	600
Max. width of interface (mm)	500
Cable management	Integrated cable management
Certifications	FSC TÜV
Max. horizontal hole pattern (mm)	400
Max. vertical hole pattern (mm)	400
Min. distance to floor - center display (mm)	560
Universal or fixed hole pattern	Universal
Awards	Good Industrial Design Award
Max. thickness desk	Good Industrial Design Award

VOGEL'S HOLDING BV (©)

All rights reserved.
Subject to printing errors,
technical and price
amendments.

Date: 2023-01-14



Vogel's. For Sure.