

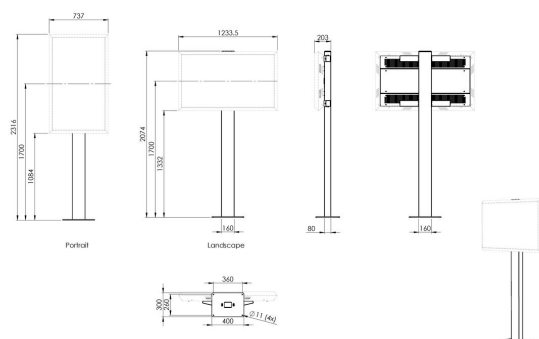


POF 7601 Outdoor Floor Stand LG 49XE4F

Key Benefits

- Anti-corrosion treatment for outdoor
- Theft prevention
- Portrait and landscape position
- Stylish design
- Quick and easy installation

With Vogel's POF 7601 Outdoor floor stand for the LG 49XE4F you can easily install your LG outdoor display in a free-standing environment, in either the landscape or portrait position.





POF 7601 Outdoor Floor Stand LG 49XE4F



Specifications

Min. screen size (inch)	49
Min. screen size (inch)	49
Max. screen size (inch)	49
Max. screen size (inch)	49
Min. distance to floor - center display (mm)	1700
Max. distance to floor - center display (mm)	1700
Back-to-back displays	False
Adjustable height	No
Height	2074
Width	160
Depth	80
Article number (SKU)	7276010
EAN single box	8712285351983
Colour	Black
Certifications	TAA
Guarantee	2 years

VOGEL'S HOLDING BV (©)

All rights reserved.
Subject to printing errors,
technical and price
amendments.

Date: 2025-01-22