

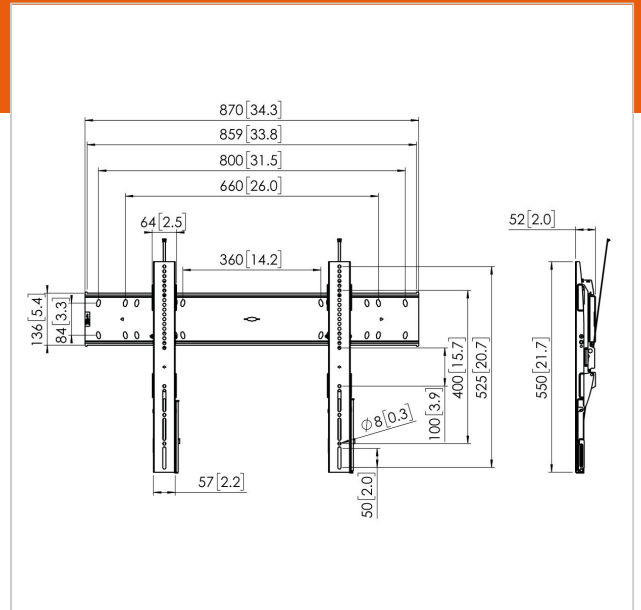
## PFW 6810 Display wall mount tilt

Article number (SKU) 7368100  
 Colour Black

### Key Benefits

- Easy levelling and installation
- For the heaviest displays
- Self-centering display bolts
- Integrated lock
- Locked service position

The PFW 6810 is a sturdy and at the same time elegant tilt wall mount. It features an aesthetically integrated lock on top of the ability to tilt up to 15°. The mount can hold displays from 55 to 80 inch, weighing up to 75 kg





## PFW 6810 Display wall mount tilt

[www.vogels.com](http://www.vogels.com)

VOGEL'S HOLDING BV 2019 (c) All rights reserved.  
Subject to printing errors, technical and price amendments.  
Date: 2020-05-15

### Specifications

Product type number	PFW 6810	Orientation	Landscape
Article number (SKU)	7368100	Service position	Yes
Colour	Black	Universal or fixed hole pattern	Universal
EAN single box	8712285334184		
TÜV certified	Yes		
Tilt	Tilt up to 15°		
Guarantee	5 years		
Max. weight load (kg)	75		
Min. hole pattern	75mm x 75mm		
Max. hole pattern	800mm x 400mm		
Max. bolt size	M8		
Max. height of interface (mm)	550		
Max. width of interface (mm)	870		
Fischer inside	Yes		
Levelling function	Post-installation horizontal levelling		
Lock options	Lock included / integrated		
Max. horizontal hole pattern (mm)	800		
Max. screen size (inch)	80		
Max. vertical hole pattern (mm)	400		
Min. distance to the wall (mm)	52		
Min. horizontal hole pattern (mm)	75		
Min. screen size (inch)	55		
Min. vertical hole pattern (mm)	75		

