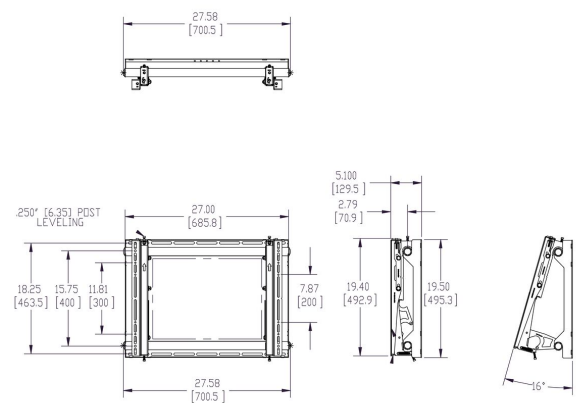




PFW 5870 Video Wall Mount fixed

The PFW 5870 Fixed display Video Wall Mount is a video wall mounting solution which features multi-monitor stacking, open design, a built-in kickstand for easy service access, custom spacers and top-adjustable mounting brackets with convenient adjustments along the x,y, and z axis for easy panel alignment. The PFW 5870 may be used instead of the PFW 6870 in areas of a video wall where pop-out functionality is not required.





PFW 5870 Video Wall Mount fixed

Specifications

| | |
|---------------------------------------|---------------|
| Article number (SKU) | 7358700 |
| Colour | Black |
| EAN single box | 8712285331725 |
| TÜV certified | Yes |
| Guarantee | 5 years |
| Min. screen size (inch) | 37 |
| Max. screen size (inch) | 65 |
| Max. weight load (kg/Lbs) | 72 / 158.73 |
| Min. hole pattern | 200mm x 200mm |
| Max. hole pattern | 600mm x 400mm |
| Max. height of interface (mm) | 495 |
| Max. width of interface (mm) | 734 |
| Max. distance to the wall (mm / inch) | 129 / 5.08 |
| Max. horizontal hole pattern (mm) | 600 |
| Max. screen size (inch) | 65 |
| Max. vertical hole pattern (mm) | 400 |
| Min. distance to the wall (mm / inch) | 129 / 5.08 |
| Min. horizontal hole pattern (mm) | 200 |
| Min. screen size (inch) | 37 |
| Min. vertical hole pattern (mm) | 200 |
| Universal or fixed hole pattern | Universal |

VOGEL'S HOLDING BV (©)

All rights reserved.
Subject to printing errors,
technical and price
amendments.

Date: 2023-01-25



Vogel's. For Sure.