



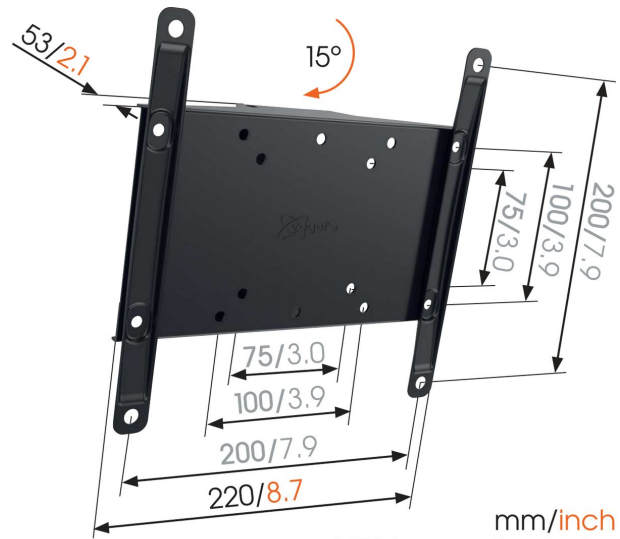
MA2010 Tilting TV Wall Mount

Key Benefits

- Avoid reflections: tilt up to 15°
- Tested up to 3 times max. TV weight
- Mount your TV exactly where you want it to be
- Easily remove to install your cables
- Reliable quality for an affordable price

For TVs up to 43 inch (102 cm)

TVs up to 30 kg and 43 inches fit perfectly on an MA 2010 wall mount. A small but sturdy TV mount that is perfect for the bedroom or bathroom.





MA2010 Tilting TV Wall Mount

Specifications

Article number (SKU)	8572010
Colour	Black
EAN single box	8712285336980
Product size	S
TÜV certified	Yes
Tilt	Tilt up to 15°
Guarantee	2 years
Min. screen size (inch)	19
Max. screen size (inch)	43
Max. weight load (kg/Lbs)	30 / 66.14
Max. bolt size	M8
Max. height of interface (mm)	220
Max. width of interface (mm)	220
Certifications	TÜV
Min. distance to the wall (mm / inch)	53 / 2.09
Universal or fixed hole pattern	Fixed

VOGEL'S HOLDING BV (©)

All rights reserved.
Subject to printing errors,
technical and price
amendments.

Date: 2023-01-13



Vogel's. For Sure.