



## PFD 8541 Monitor mount dynamic white

Article number (SKU)  
Colour

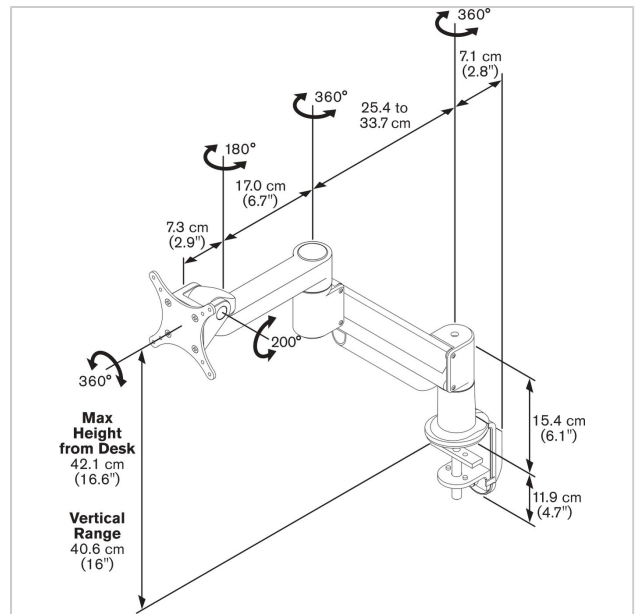
7185411  
White

### Key Benefits

- Stylish high-end design
- Easy to install
- Ergonomic
- Gas spring supported arm

This Vogel's desk mount is designed for intensive professional use. Features like adjustable bearings, three point cable management and the special Flexmount™ provide outstanding performance and longlasting quality. The stylish design fits any décor or type of desk.

For areas where a lot of different people work with a monitor, like reception desks or flex workstations, our floating model is the perfect solution. The adjustable gas spring makes the monitor weightless, so you can easily pull your monitor up and down to the right height. The PFD 8541 model is designed to support monitors in the weight class 2.0 - 5.7 kg (4.4 - 12.5 lbs). The Flexmount lets you install the desk mount in 6 different ways. So you can be sure that the Vogel's desk mount will fit just about every desk set-up without having to buy additional accessories. The maximum thickness for a desk on which a flexmount can be mounted is 83 mm





## PFD 8541 Monitor mount dynamic white

[www.vogels.com](http://www.vogels.com)

VOGEL'S HOLDING BV 2019 (c) All rights reserved.  
Subject to printing errors, technical and price amendments.  
Date:2019-05-22

## Specifications

Product type number	PFD 8541
Article number (SKU)	7185411
Colour	White
EAN single box	8712285338922
Height	421
Tilt	Tilt up to 200°
Turn	Up to 360°
Guarantee	10 years
Max. weight load (kg)	5.7
Max. height of interface (mm)	115
Max. width of interface (mm)	115
Adjustable depth	True
Adjustable height	True
Gas spring	True
Max. horizontal hole pattern (mm)	100
Max. screen size (inch)	29
Max. vertical hole pattern (mm)	100
Min. horizontal hole pattern (mm)	75
Min. screen size (inch)	10
Min. vertical hole pattern (mm)	75
Min. weight load (kg)	2
Number of pivot points	3

