

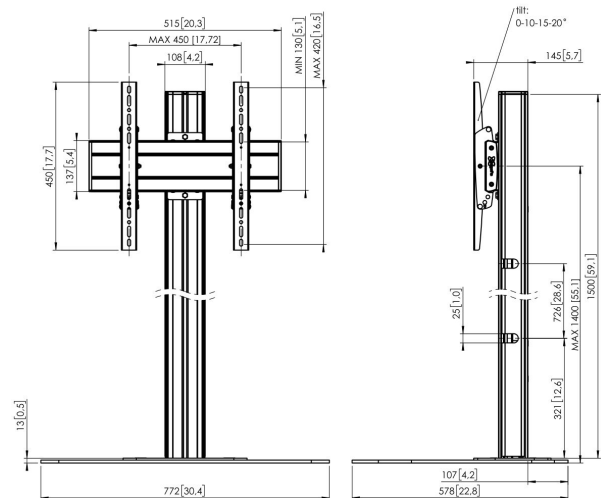
F1544S Display Floor Stand

Key Benefits

- Stylish high-end design
- Cable management
- Quick and easy installation

Floor Stand kit F1544

Max. screen size: 65" Max. fitment (VESA): 400x400 Max load: 80 kg / 176 lbs Kit consists of: • 1x PFF 7020 Floor plate • 1x PUC 2715 Pole 150 cm • 1x PFB 3405 Interface bar • 1x PFS 3304 Interface display strip





F1544S Display Floor Stand



Specifications

Max. screen size (inch)	65
Min. hole pattern	100mm x 100mm
Max. hole pattern	400mm x 400mm
Min. horizontal hole pattern (mm)	100
Max. horizontal hole pattern (mm)	400
Min. vertical hole pattern (mm)	100
Max. vertical hole pattern (mm)	400
Universal or fixed hole pattern	Universal
Max. height of interface (mm)	450
Max. width of interface (mm)	515
Max. distance to floor - center display (mm)	1400
Max. weight load (kg)	80
Max. weight load (Lbs)	176.37
Tilt	Tilt up to 20°
Height	1500
Width	772
Depth	578
Article number (SKU)	7951014
EAN single box	8712285332524
Colour	Silver
Certifications	TÜV
TÜV certified	Yes
Guarantee	5 years

VOGEL'S HOLDING BV (©)

All rights reserved.
Subject to printing errors,
technical and price
amendments.

Date: 2025-05-31



Vogel's. For Sure.