



## BASE 05 L Fixed TV Wall Mount

Article number (SKU)  
Colour

8343305  
Black



### Key Benefits

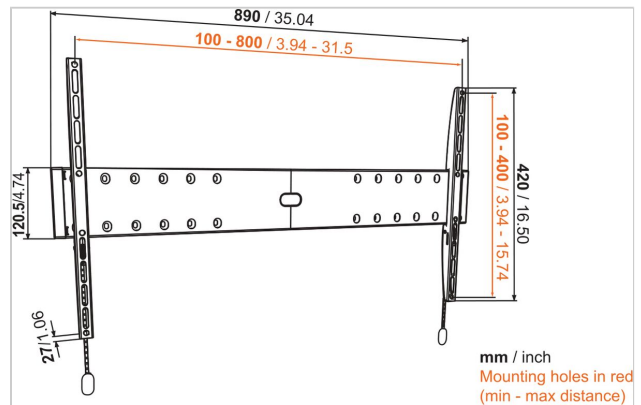
- Strong and Simple: solid, secure solutions to mount your TV
- Mount your TV only 2,7 cm from the wall
- Lock your TV securely in place

### For TVs up to 80 inch (203 cm)

You've spent good money on a great TV. So when it comes to putting it pride of place, you don't want to risk mounting it with just any wall mount. For you, only the best will do. BASE 05 L is a strong, solid wall mount that is suitable for 40 to 80 inch (102 to 203 cm) TVs weighing up to 70 kg (154 lbs). Flat against the wall to save space The best way to save space around your TV is to mount it flat against the wall. The BASE 05 L is a fixed TV wall mount that still leaves enough space for air circulation, to prevent overheating.

### The BASE series: strong and simple

By choosing a BASE series wall mount, you choose a solid, secure solution for mounting your TV on the wall. A sturdy lock release feature clicks your TV safely into the bracket. Mounting the BASE 05 L is easy, as it comes with clear mounting instructions and all the mounting materials you need.





## BASE 05 L Fixed TV Wall Mount

[www.vogels.com](http://www.vogels.com)

VOGEL'S HOLDING BV 2019 (c) All rights reserved.  
Subject to printing errors, technical and price amendments.  
Date:2020-09-16

## Specifications

Product type number	BASE 05 L
Article number (SKU)	8343305
Colour	Black
EAN single box	8712285324307
Product size	L
TÜV certified	Yes
Guarantee	Lifetime
Min. screen size (inch)	40
Max. screen size (inch)	80
Max. weight load (kg)	70
Min. hole pattern	100mm x 100mm
Max. hole pattern	800mm x 400mm
Max. bolt size	M8
Max. height of interface (mm)	420
Max. width of interface (mm)	888
Max. horizontal hole pattern (mm)	800
Max. vertical hole pattern (mm)	400
Min. distance to the wall (mm)	27
Service position	No
Spirit level included	No
Universal or fixed hole pattern	Universal
What's in the box	<ul style="list-style-type: none"><li>• Mounting instructions</li><li>• TV mounting kit</li><li>• Wall mount</li><li>• Wall mounting kit</li></ul>