



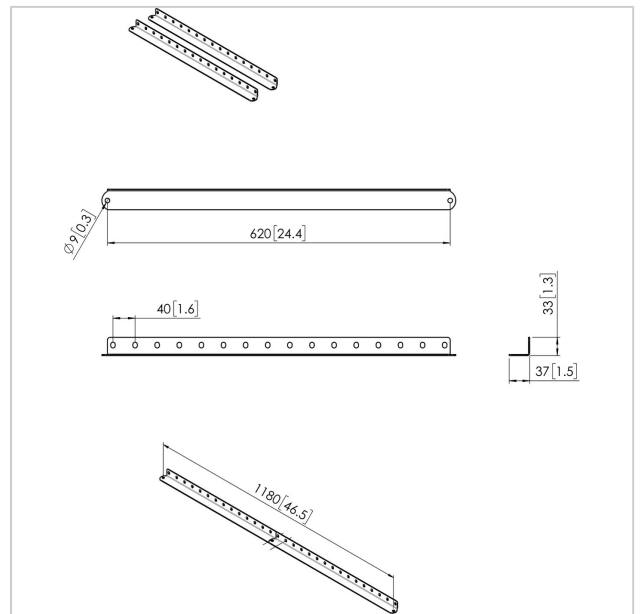
PFA 9142 Wall support extension kit 2 arms

Article number (SKU)
Colour

7291420
Black



The PFA 9142 consists of 2 arms that can be used to extend the PFA 9141.





PFA 9142 Wall support extension kit 2 arms

www.vogels.com



VOGEL'S HOLDING BV 2019 (c) All rights reserved.
Subject to printing errors, technical and price amendments.
Date:2020-02-17

Specifications

Product type number	PFA 9142
Article number (SKU)	7291420
Colour	Black
EAN single box	8712285343223
TÜV certified	Yes
Guarantee	5 years

