



FMDE 5064 Motorized floor mounted double actuator 50 cm

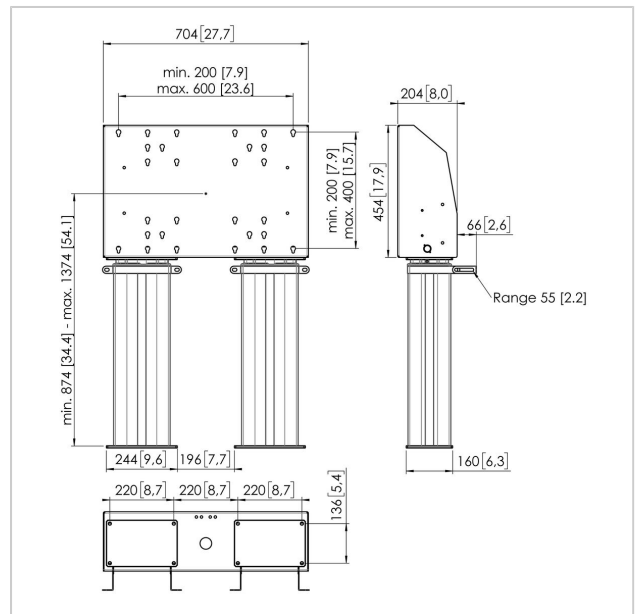
Article number (SKU)
Colour

7950654
Silver

Key Benefits

- Easy install
- Adjustable in height up to 50 cm
- Lockable cabinet

Floor mount consists of: Size



FMDE 5064 Motorized floor mounted double actuator 50 cm

www.vogels.com



VOGEL'S HOLDING BV 2019 (c) All rights reserved.
Subject to printing errors, technical and price amendments.
Date:2019-04-23

Specifications

Product type number	FMDE 5064
Article number (SKU)	7950654
Colour	Silver
EAN single box	8712285343643
Width	704
Depth	204
Guarantee	5 years
Min. screen size (inch)	40
Max. screen size (inch)	90
Max. weight load (kg)	200
Max. distance to floor - center display (mm)	1374
Min. distance to floor - center display (mm)	873
Motorized	True
Remote controlled	Yes
Travel	500

