

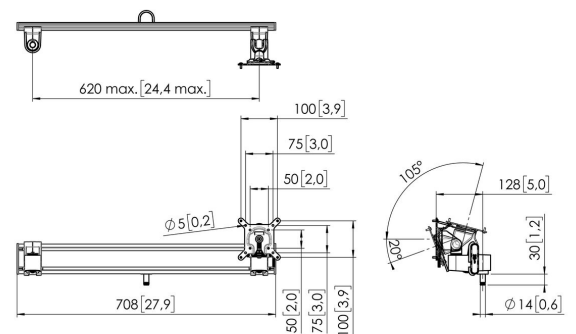


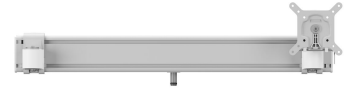
MOMO A001 Dual Monitor Adapter, (white)

Key Benefits

- Height Adjustable
- Suitable for one, two or a whole series of monitors
- Easy to assemble without tools
- Flexible modular system
- TÜV certified / 10-year guarantee

Accessory for your monitor arm The MOMO A001 Dual Monitor Adapter. This accessory is part of MOMO Motion and Motion +. Specially designed for mounting two monitors side-by-side at the same height. Suitable for monitors of 27" with a VESA of 50x50, 75x75, and 100x100. All MOMO accessories are easy to install.





MOMO A001 Dual Monitor Adapter, (white)

Specifications

Article number (SKU)	7190011
Colour	White
EAN single box	8712285354687
TÜV certified	Yes
Tilt	Tilt -20°/+105°
Guarantee	10 years
Max. display width (mm)	620
Universal or fixed hole pattern	Fixed
Rotation stop	True

VOGEL'S HOLDING BV (©)

All rights reserved.
Subject to printing errors,
technical and price
amendments.

Date: 2023-06-23

