



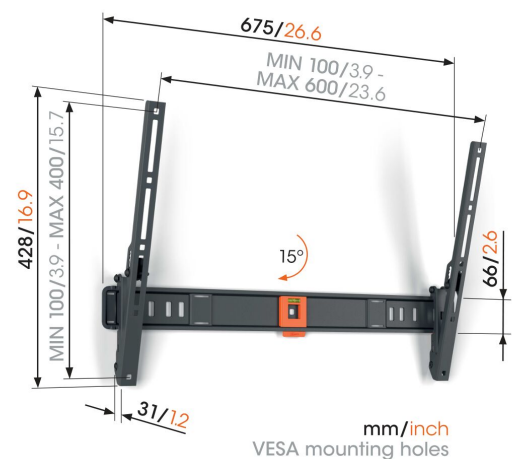
TVM 1618 Tilting TV Wall Mount

Key Benefits

- TiltGrip™: secure tilting at 5°, 10° or 15°
- SoffLock™: secure your TV simply
- Spirit level included

Tilting TV wall mount for TVs from 40 to 77 inches

Want to hang your TV a bit higher on the wall and still enjoy watching it? This QUICK Tilt TV wall mount is exactly what you are looking for. You can install it extremely quickly and easily. In no more than 20 minutes, your TV is firmly in place. You can then tilt the TV 5°, 10° or 15° to set the ideal viewing angle. The TV wall mount is suitable for TVs from 40 to 77 inches and weighing up to 35 kg.





TVM 1618 Tilting TV Wall Mount



Specifications

Article number (SKU)	1816180
Colour	Black
EAN single box	8712285356360
Product size	L
TÜV certified	Yes
Tilt	Tilt up to 15°
Guarantee	5 years
Min. screen size (inch)	40
Max. screen size (inch)	77
Max. weight load (kg/Lbs)	35 / 77.16
Min. hole pattern	100mm x 100mm
Max. hole pattern	600mm x 400mm
Max. bolt size	M8
Max. height of interface (mm)	428
Max. width of interface (mm)	675
Certifications	TÜV
Max. horizontal hole pattern (mm)	600
Max. vertical hole pattern (mm)	400
Min. distance to the wall (mm / inch)	31 / 1.22
Min. horizontal hole pattern (mm)	100
Min. vertical hole pattern (mm)	100
Spirit level included	Yes
Universal or fixed hole pattern	Universal

VOGEL'S HOLDING BV (©)

All rights reserved.
Subject to printing errors,
technical and price
amendments.

Date: 2023-01-29



Vogel's. For Sure.