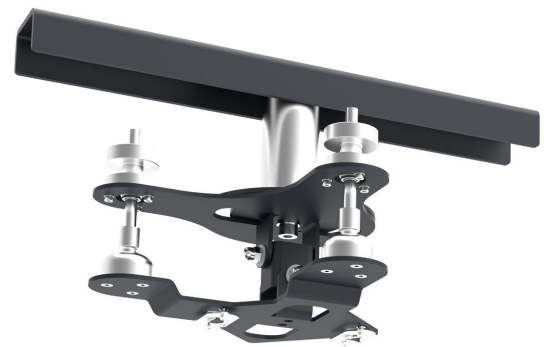


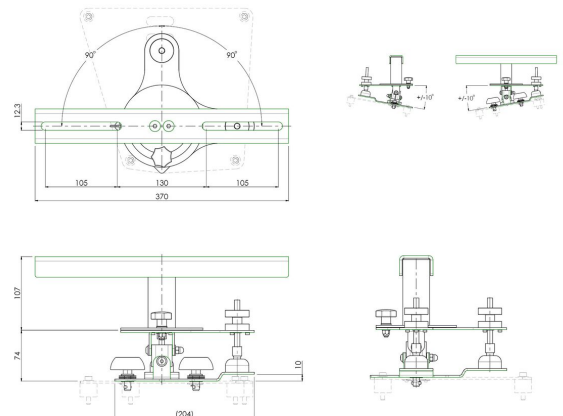


## S002.1650 Projector Fine Adjustment

Designed to meet the needs of heavy projectors, our innovative fine adjustment system offers exceptional precision. This system allows precise positioning from  $+10^{\circ}$  to  $-10^{\circ}$ , allowing you to set the projection angle with the utmost precision.

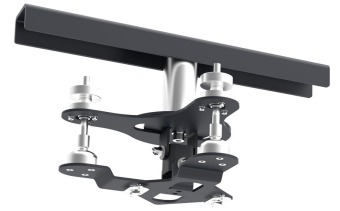


Smart  
metals  
MOUNTING SOLUTIONS





## S002.1650 Projector Fine Adjustment



## Specifications

Bracket Interface	False
Max. weight load (kg)	50
Max. weight load (Lbs)	110.23
Turn	Up to 180°
Tilt	Tilt up to 10°
Article number (SKU)	S002.1650
EAN single box	8718868872654
Colour	Black
Guarantee	5 years

VOGEL'S HOLDING BV (©)

All rights reserved.  
Subject to printing errors,  
technical and price  
amendments.

Date: 2024-10-31